



Model: F08-DC

F-SERIES, 8inch RECESSEDLED – DC_{input}
Low Profile, Fully Integrated LED Light Fixture

SPECIFICATIONS & FEATURES

WHERE TO USE – Interior or exterior under covered surface, new construction and/or retro-fit installations where surface mount or recessed lighting is required. Install in RM, NC, IC, ICAT & Fire Rated applications.

TYPICAL APPLICATIONS – Commercial, hospitality, residential, and industrial locations where general illumination is required. Use in breezeways, corridors, offices, hotels, conference rooms, kitchens, multi-family, garages & more.

DESIGN & CONSTRUCTION – Patented low profile planer design utilizing Light Forward Heat Forward thermal management. 100% aluminum with 40% recycled content. Fixture is recyclable. Durable powder coated finish.

MOUNTING/INSTALLATION – *New Construction:* mounts directly into any 3-½" deep 1900 (4S) or Octagonal JBox. *Retrofit:* mounts directly into any 4" diameter or larger recessed fixture with Silescent single or 2-piece mount kit.

CEILING THICKNESS – Up to 3 inches thick (ceiling depths > 3" available as custom).

ULTRA LOW PLENUM – Only requires the depth of installed J-Box.

ELECTRICAL – Low voltage input, Class 2 capable.

DIMMING – Digital control input using Silescent SimpleNet communications protocol and Silescent TouchControl wall switches. Custom interface capable using Silescent DCI modules. Provides smooth dimming throughout the dimming range (1 – 100%).

LIGHT DISTRIBUTION – 3 beam spread options: 90, 120, or 140 degrees.

ADVANCED INTELLIGENT LIGHT ENGINE – Active thermal feedback monitors both LED & driver to protect against risk of overheating and assuring expected life.

SERIAL NUMBER CONTROL – Addresses legacy lighting concerns. Each light Engine is serial number controlled should a fixture fail & need to be repaired or replaced.

LISTINGS & COMPLIANCE – UL1598 surface mount listed Canada & US (ETL label), wet location under cover ceiling. IP65 & RoHS compliant.

EXTRA LONG LIFE – 100,000 operating hours (@ 10 hrs/day is > 27 years).

WARRANTY – 5 year limited warranty, both LED and driver. Full warranty details available at www.silescent.com

MADE IN USA – Both driver and fixture are designed, engineered and manufactured In Ft. Lauderdale FL (ARRA & NAFTA compliant).

Item Code	Type
Project	
Comments	Date
Prepared by	

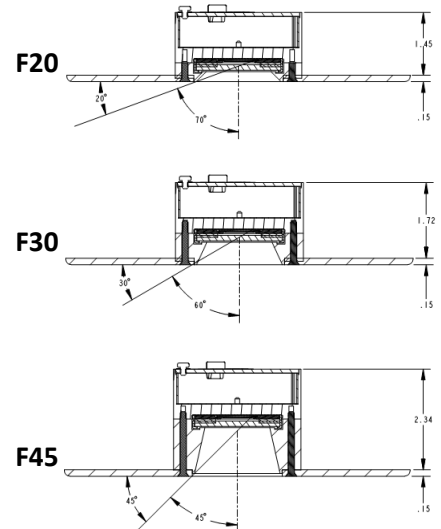


F30 Optic Shown

ELECTRICAL DATA

- **Operating Temp:** -40C to +40C
- **Ambient Temp:** <35C
- **Operating Voltage:**
 - **HD3** 42 – 60VDC (48VDC Nominal)
 - **DD3** 21 – 36VDC (24VDC Nominal)
- **Rated Wattage:** up to 25 watts (*see individual fixture photometrics*)

Optic Options



OPTIONS

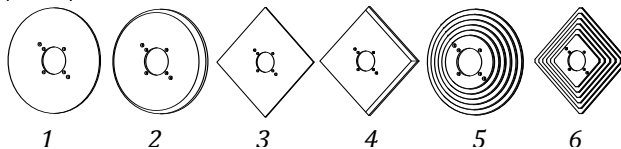
TRIM RING STYLES – Round-Flat, Round-Dish, Square-Flat, Square-Bevel, Round-Step, Square-Step, Octagonal-Step.

FINISH – Powder Coat Finish Standard. Custom plating & colors available (RAL).

LAMP TEMPERATURES (CCT) – 2700, 3000, 3500, 4000 & 5000 Kelvin (CRI>80). 70 & 90 CRI available upon request.

OPTICS – 70° cut-off (114° beam), 60° cut-off (90° beam), 45° cut-off (70° beam) angles and Wide Area Distribution available.

WATTAGE LEVELS – Available in 10, 15, 20 & 25 watts. Custom wattages or lumen levels available upon request.



ORDERING INFORMATION

Sample Number: F085C01DD335F3020w

Series	Style/Size	Finish/Color	Driver	Color	Optics	Wattage Levels
F08	5	C01	DD3	35	F30	20w
F08 - 8in Rec'd LED	1 - Round/Flat 2 - Round/Dish 3 - Square/Flat 4 - Square/Bevel 5 - Round/Step 6 - Square/Step	C01 - PC-White C08 - PC-Black	DD3 - 24VDC _{in} HD3 - 48VDC _{in}	27 - 2700K (80CRI) 30 - 3000K (80CRI) 35 - 3500K (80CRI) 40 - 4000K (80CRI) 50 - 5000K (80CRI)	F20 - 70° Cutoff F30 - 60° Cutoff F45 - 45° Cutoff FD3 - Flush-Diffuser	05w - 5 watts 10w - 10 watts 15w - 15 watts 20w - 20 watts 25w - 25 watts

