



Model: F06-AC

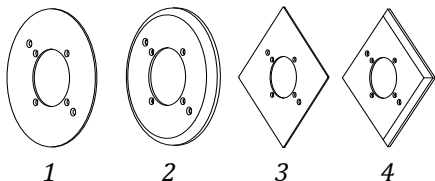
F-SERIES, 6inch RECESSEDLED – AC_{input}
 ENERGY STAR® Certified LED Downlight
 Low Profile, Fully Integrated LED Light Fixture

SPECIFICATIONS & FEATURES

- WHERE TO USE** – Interior or exterior under covered surface, new construction and/or retro-fit installations where surface mount or recessed lighting is required. Install in RM, NC, IC, ICAT & Fire Rated applications.
- TYPICAL APPLICATIONS** – Commercial, hospitality, residential, and industrial locations where general illumination is required. Use in breezeways, corridors, offices, hotels, conference rooms, kitchens, multi-family, garages & more.
- DESIGN & CONSTRUCTION** – Patented low profile planer design utilizing Light Forward Heat Forward thermal management. 100% aluminum with 40% recycled content. Fixture is >90% recyclable. Durable powder coated finish.
- MOUNTING/INSTALLATION** – *New Construction:* mounts directly into any 3-1/2" deep, 4" Octagonal JBox or 1900-4S JBox. *Refit:* mounts directly into any 4" or larger recessed fixture with Silescent **Recessed Can Conversion Kit**.
- CEILING THICKNESS** – Up to 3 inches thick (ceiling depths > 3" available as custom).
- ULTRA LOW PLENUM** – Only requires the depth of installed J-Box.
- ELECTRICAL** – Approved for feed through wiring.
- DIMMING** – Provides both 120VAC Triac/Phase dimming (0.5% - 100% continuous dimming) & Silescent 4-wire digital SimpleNet control. See Silescent Dimming Capabilities and Compatibility chart at www.silescent.com.
- LIGHT DISTRIBUTION** – Narrow & Wide Area Distribution.
- ADVANCED INTELLIGENT LIGHT ENGINE** – Active thermal feedback monitors both LED & driver to protect against risk of overheating and assuring expected life.
- SERIAL NUMBER CONTROL** – Addresses legacy lighting concerns. Each light Engine is serial number controlled should a fixture need to be repaired or replaced.
- LISTINGS & COMPLIANCE** – ENERGY STAR certified LED Downlight, UL1598 surface mount listed Canada & US (ETL label), wet location under cover ceiling. IP65 & RoHS compliant.
- EXTRA LONG LIFE** – 100,000 operating hours (@ 10 hrs/day is > 27 years)
- WARRANTY** – 5 year limited warranty, both LED and driver. Full warranty details available at www.silescent.com
- MADE IN USA** – Both driver and fixture are designed, engineered and manufactured by Silescent Lighting in Ft. Lauderdale FL (ARRA & NAFTA compliant).

OPTIONS

- TRIM RING STYLES** – Round-Flat, Round-Dish, Square-Flat, and Square-Bevel.
- FINISH** – Powder Coat Finish Standard. Custom plating & colors available (RAL).
- LAMP TEMPERATURES (CCT)** – 2700, 3000, 3500, 4000 & 5000 Kelvin (CRI>80). 70 & 90 CRI available upon request.
- OPTICS** – 70° cut-off (114° beam), 60° cut-off (90° beam), 45° cut-off (70° beam) angles and Wide Area Distribution available.
- WATTAGE LEVELS** – Available in 8, 10 & 15watts. Custom wattages or lumen levels available upon request.



ORDERING INFORMATION

Series/Size	Style	Finish/Color	Driver	Color	Optics	Wattage Levels
F06	2	C01	LP3	35	F30	15w
F06 - 6in Rec'd LED	1 - Round/Flat 2 - Round/Dish 3 - Square/Flat 4 - Square/Bevel	C01 - PC-White C08 - PC-Black	LP3 - 120VAC _{in} , Triac HN3 - 120/277V, On/OFF HS3 - 120/277VAC _{in} , SN	27 - 2700K (80CRI) 30 - 3000K (80CRI) 35 - 3500K (80CRI) 40 - 4000K (80CRI) 50 - 5000K (80CRI)	F20 - 70° Cutoff F30 - 60° Cutoff F45 - 45° Cutoff D30 - Flush-Diffuser	08w - 8 watts 10w - 10 watts 15w - 15 watts



Item Code	Type
Project	
Comments	Date
Prepared by	

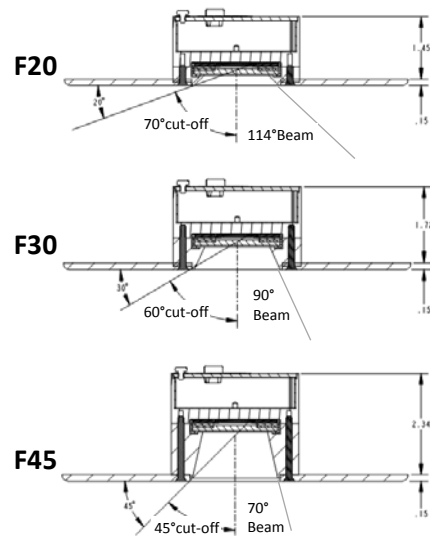


F30 Optic Shown

ELECTRICAL DATA

- Operating Temp:** -40C to +40C
- Ambient Temp:** <35C
- Operating Voltage:**
 - o LP3 103 – 125VAC, 50 / 60 Hz (*continuous dimming*)
 - o HN3/HS3 103 – 285VAC, 50 / 60 Hz
- Nominal Voltage:** 120/240/277V (specify)
- Rated Wattage:** ≤15 watts (*see specified fixture photometrics*)

Optic Options:



Sample Number: F062C01LP335F3015w

