



Model: F05-DC

F-SERIES, 5inch RECESSEDLed – DC_{input}
Low Profile, Fully Integrated LED Light Fixture

SPECIFICATIONS & FEATURES

WHERE TO USE – Interior or exterior under covered surface, new construction and/or retro-fit installations where surface mount or recessed lighting is required. Install in RM, NC, IC, ICAT & Fire Rated applications.

TYPICAL APPLICATIONS – Commercial, hospitality, residential, and industrial locations where general illumination is required. Use in breezeways, corridors, offices, hotels, conference rooms, kitchens, multi-family, garages & more.

DESIGN & CONSTRUCTION – Patented low profile planer design utilizing Light Forward Heat Forward thermal management. 100% aluminum with 40% recycled content. Fixture is recyclable. Durable powder coated finish.

MOUNTING/INSTALLATION – *New Construction:* mounts directly into any 3-½" deep 1900 (4S) or Octagonal JBox. *Retrofit:* mounts directly into any 4" diameter or larger recessed fixture with Silescent single or 2-piece mount kit.

CEILING THICKNESS – Up to 3 inches thick (ceiling depths > 3" available as custom).

ULTRA LOW PLENUM – Only requires the depth of installed J-Box.

ELECTRICAL – Low voltage input, Class 2 capable.

DIMMING – Digital control input using Silescent SimpleNet communications protocol and Silescent TouchControl wall switches. Custom interface capable using Silescent DCI modules. Provides smooth dimming throughout the dimming range (1 – 100%).

LIGHT DISTRIBUTION – 3 beam spread options: 90, 120, or 140 degrees.

ADVANCED INTELLIGENT LIGHT ENGINE – Active thermal feedback monitors both LED & driver to protect against risk of overheating and assuring expected life.

SERIAL NUMBER CONTROL – Addresses legacy lighting concerns. Each light Engine is serial number controlled should a fixture fail & need to be repaired or replaced.

LISTINGS & COMPLIANCE – UL1598 surface mount listed Canada & US (ETL label), wet location under cover ceiling. IP65 & RoHS compliant.

EXTRA LONG LIFE – 100,000 operating hours (@ 10 hrs/day is > 27 years).

WARRANTY – 5 year limited warranty, both LED and driver. Full warranty details available at www.silescent.com

MADE IN USA – Both driver and fixture are designed, engineered and manufactured In Ft. Lauderdale FL (ARRA & NAFTA compliant).

OPTIONS

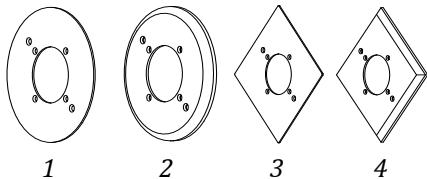
THERMAL RING STYLES – Round-Flat, Round-Dish, Square-Flat, Square-Bevel.

FINISH – Powder Coat Finish Standard. Custom plating & colors available (RAL).

LAMP TEMPERATURES (CCT) – 2700, 3000, 3500, & 4000 Kelvin (CRI>80), 5000 Kelvin (65CRI), (5000 Kelvin, CRI>80 available upon request).

OPTICS – 70 degree, 60 degree and 45 degree cutoff angles available.

WATTAGE LEVELS – Available in 5 & 10 watts. Custom wattages or lumen levels available upon request.



Item Code	Type
Project	
Comments	Date
Prepared by	

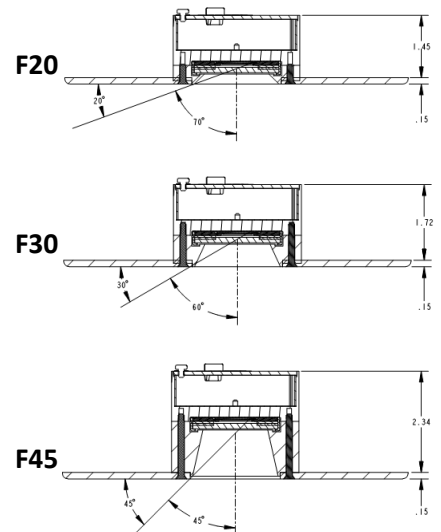


F30 Optic Shown

ELECTRICAL DATA

- **Operating Temp:** -40C to +40C
- **Ambient Temp:** <35C
- **Operating Voltage:**
 - **HD3** 42 – 60VDC (48VDC Nominal)
 - **DD3** 21 – 36VDC (24VDC Nominal)
- **Rated Wattage:** up to 10 watts (*see individual fixture photometrics*)

Optic Options



ORDERING INFORMATION

Series	Style/Size	Finish/Color	Driver	Color	Optics	Wattage Levels
F05	2	C01	DD3	35	F30	10w
F05 - 5in Rec'd LED	1 - Round/Flat 2 - Round/Dish 3 - Square/Flat 4 - Square/Bevel	C01 - PC-White C08 - PC-Black	DD3 - 24VDC _{in} HD3 - 48VDC _{in}	27 - 2700K (80CRI) 30 - 3000K (80CRI) 35 - 3500K (80CRI) 40 - 4000K (80CRI) 50 - 5000K (80CRI)	F20 - 70° Cutoff F30 - 60° Cutoff F45 - 45° Cutoff FD3 - Flush-Diffuser	05w - 5 watts 10w - 10 watts



MADE IN USA
Silescent Lighting Corp. • 1417 S.W. 1st Ave. • Ft. Lauderdale, FL 33315 • P: 877.766.8448 • F: 954.206.0071 • www.silescent.com • info@silescent.com