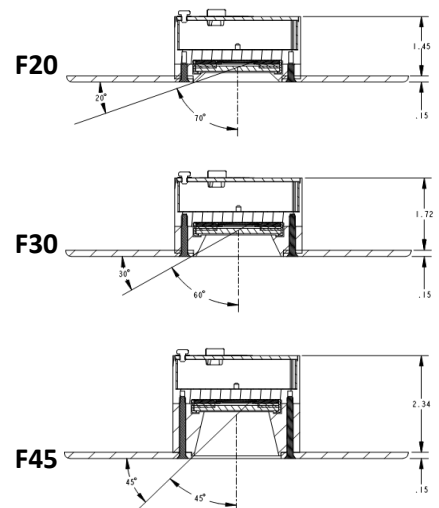
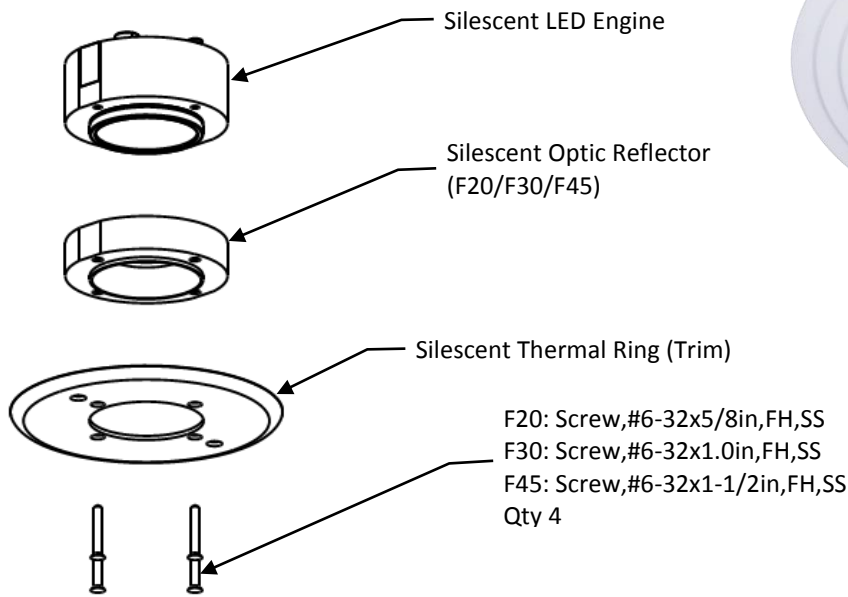


F-Series Fixture Assembly

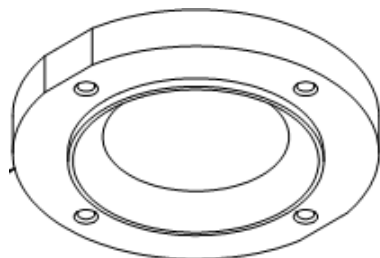
F30 Optic Shown

F20/F30/F45 Recessed LED Optic Kit

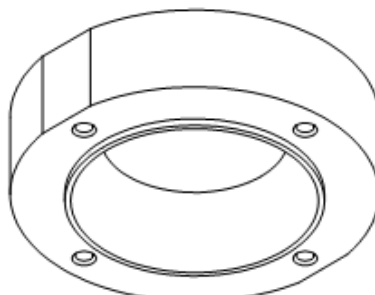


Replacement Instructions:

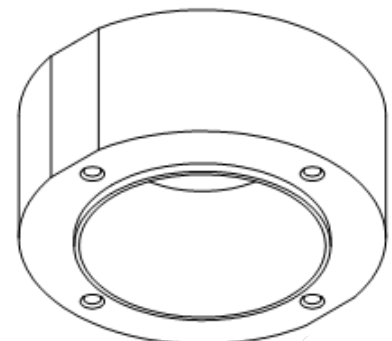
- Remove four Thermal Ring attach screws from face of Fixture;
- Inspect mating surfaces of all components, make sure that these surfaces are free of debris, nicks or scratches preventing complete surface to surface contact;
- Replace Thermal Ring/Optic/Engine accordingly and align per illustration;
- Replace and tighten four Thermal Ring attach screws;
- Follow Fixture Installation instructions to properly re-install the fixture.



F30 Optic



F30 Optic



F45 Optic