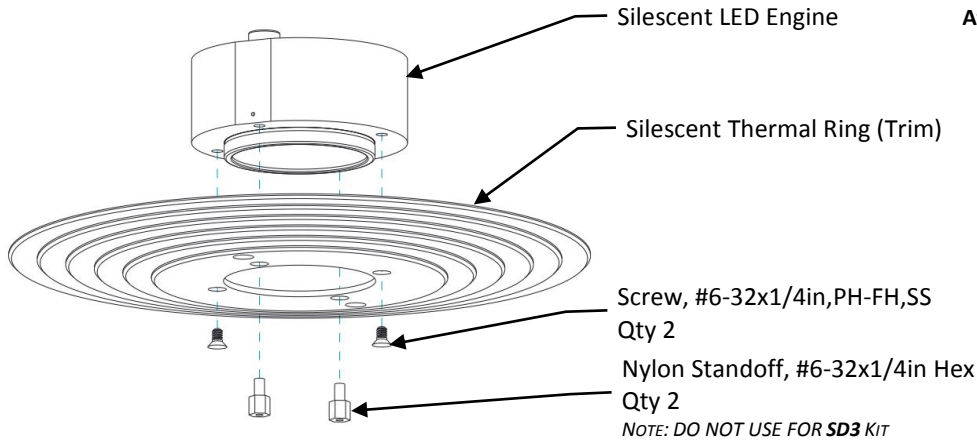


### S-Series Fixture Assembly (SD1/SD2/SD3)

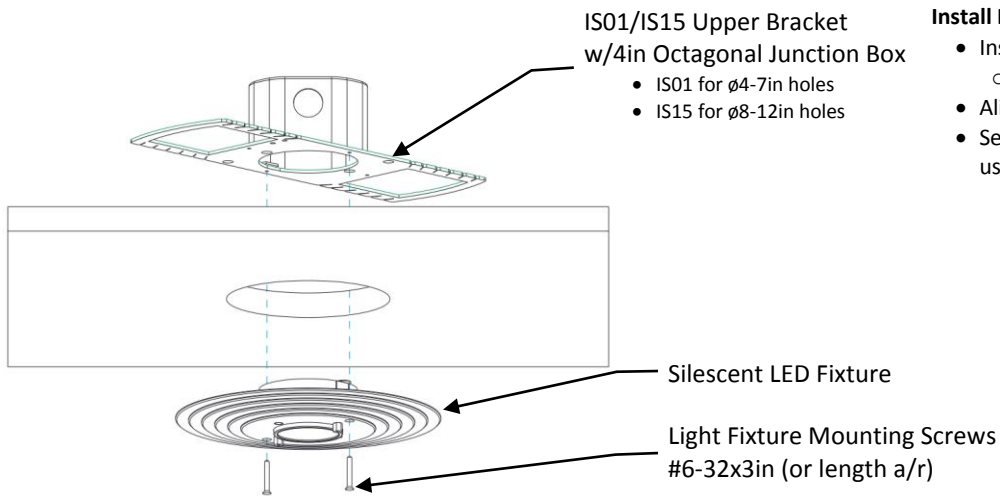
#### 1) ENGINE/TRIM RING ATTACH



#### Attach Trim Ring to Engine:

- Place Trim Ring on Engine and align attach screws provisions;
- Insert and tighten two Trim Ring attach screws (#6-32x1/4in philips flat-head);
- Insert and tighten two (2) Nylon Standoff fasteners (#6-32x1/4in).

#### 2) MOUNT FIXTURE



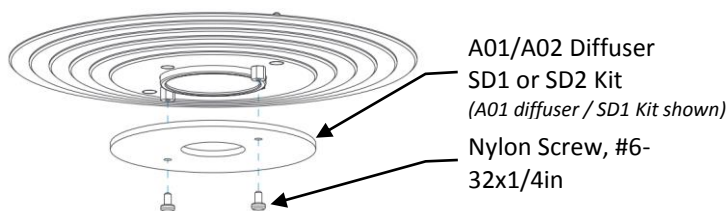
#### Install Fixture:

- Insert IS01/IS15 Upper Bracket above ceiling;
  - Note: first attach Octagonal J-Box to Bracket.
- Align fixture to mounting holes on Bracket.
- Secure Fixture to Bracket "clamping" to ceiling using Fixture Mounting Screws.

#### 3) ATTACH DIFFUSER KIT (SD1/SD2/SD3)

##### SD1 or SD2 Diffuser Kit:

- Align Diffuser to standoff and attach using two (2) Nylon Screws (#6-32x1/4in)



##### SD3 Diffuser Kit:

- Align Diffuser to standoff and attach using two (2) Nylon Screws (#6-32x5/8in)

