



Models: **LP3R1/AC3R1/UD5R1**
Reflective Luminaire Series
 Pipe Mount (RP)

Installation Instructions
 Line Voltage, Under Covered Roof Listed
 120 or 277VAC_{in} Dimmable LED Fixture
 (November, 2014)

Operation

Please refer to the Electrical Installation for proper connection to power and control.

The Silescent® R-Series Line-Voltage LED Fixtures provide for ON/OFF operation as well as multiple dimming inputs.

The LED fixture may be operated as standard ON/OFF, or as phase dimmed (LP3R1 only) with only WHITE and BLACK wires connected and use of standard wall switch and/or a standard triac dimmer.

All of these LED fixtures may also be digitally dimmed (SimpleNet) by connection of the YELLOW and PURPLE wires to a Silescent® Digital Dimming Control.

- **LP3R1:** 120VAC_{in}, ON/OFF, Phase or Digital Control
- **AC3R1:** 208-277VAC_{in}, ON/Off or Digital Control
- **UD5R1:** 120-277VAC_{in}, ON/OFF or Digital Control

Important Notes (Please read before Installation)

For Use with the following input power sources (nominal):

- **UD5R1:** 120 - 277VAC_{in}, 50-60Hz
- **LP3R1:** 120VAC_{in}, 50-60Hz
- **AC3R1:** 277VAC_{in}, 50-60Hz

Junction Box

- Any metal 4 inch octagonal (or 4in. square), UL approved junction box that is at least 2-1/8" deep. (UL approved extensions rings may be used to increase junction box depth if required).

Wiring Notes

- Always turn off power before installation.
- Install according to national and local electrical codes.

Compatible Controls

- UL approved 120-277 VAC ON/OFF switch.
- LP3R1 Only: Most standard UL approved triac based incandescent wall dimmers up to 45% of rated dimming load. Silescent recommends reverse phase for reactive LED loads.
- Silescent® Digital Dimming TouchControl.

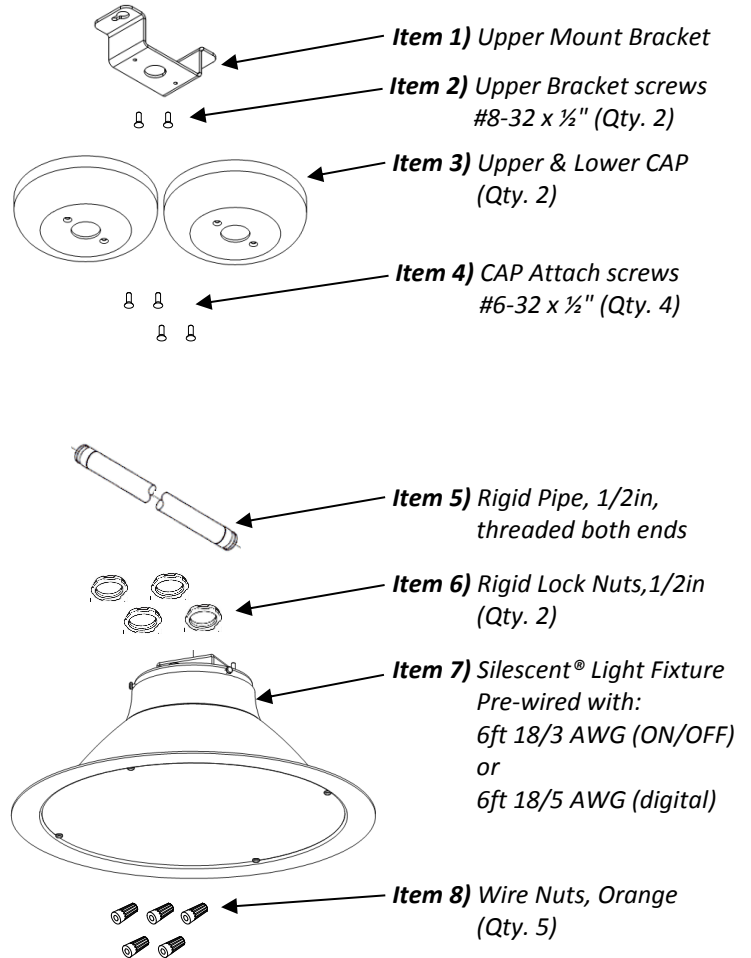
Cleaning Instructions

- TURN LIGHT OFF BEFORE CLEANING.
- The light may be cleaned with water only. Do not use solvents to clean the plastic diffuser.

The back of the unit is physically protected by a metal housing but is not water sealed, please keep dry. There are no serviceable parts or settings required for this unit.

Package Contents and Parts Identification

Figure 1 - Contents



Pre-Installation

1. **TURN POWER OFF** to the existing light or circuit.
2. Unpack shipping container and separate components.
3. The fixture is provided pre-wired with the Cable already connected to the fixture assembly.
4. Slide Cable into Threaded Rigid Pipe.
5. Attach Pipe to Fixture using two (2) Rigid Lock nuts provided.
6. Slide Lower CAP onto fixture and attach using #8-32 x 1/2" screws (see Figure 2).

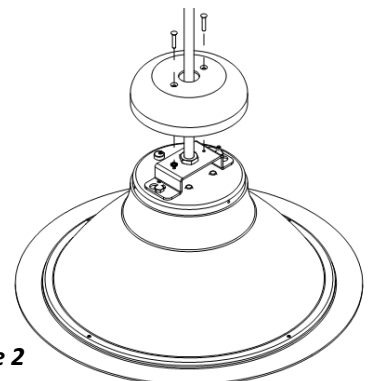


Figure 2

Electrical Installation

1. Locate the GREEN wire protruding from the Rigid Pipe, and connect it to the safety ground.

Note: The wires are strain relieved and will support the light as required during installation. Use the provided wire nuts or a UL Listed equivalent for all connections.

2. If ON/OFF or triac phase dimming is desired, connect the line power lead to the BLACK wire, and the neutral power lead to the WHITE wire (or Orange). These connections are to be made in the Junction Box. If this connection is reversed, the light will work, but not as efficiently. The PURPLE and YELLOW wires (if provided) are not used in this configuration, and should be capped. (See Figure 4a)

3. If digital dimming is desired, begin by connecting the line power lead to the BLACK wire, and the neutral power lead to the ORANGE wire. Make these connections in the Junction Box. Connect POSITIVE lead from the Silescent® Dimming Control to the PURPLE wire, and the NEGATIVE dimming lead to the YELLOW wire (See Figure 4b).

Figure 4a - Electrical Connections
(ON/OFF Control and Phase Dimming)

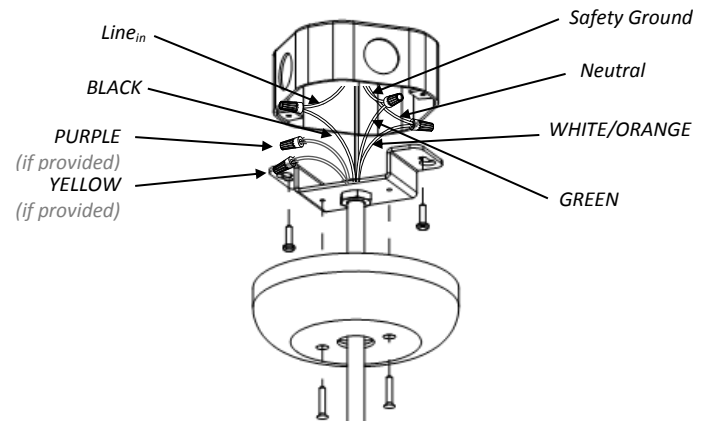
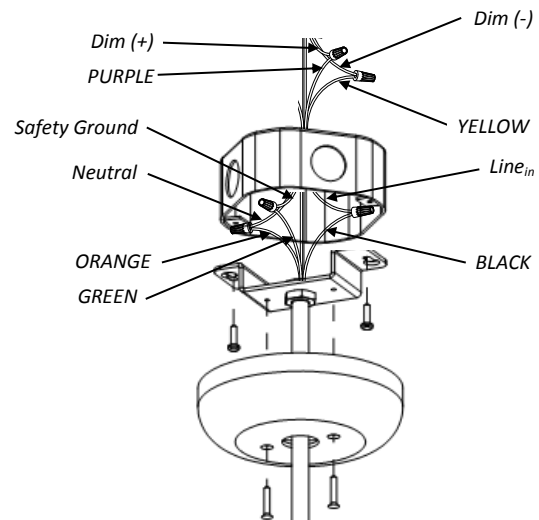


Figure 4b - Electrical Connections
(using Digital Control Connections)



Mechanical Installation

1. After completing the electrical connections, attach the Upper Bracket to the Junction Box using the provided #8-32 x 1/2in screws.

Note: include the Divider Plate between bracket and junction box if Digital Control will be used.

2. Slide the Upper CAP over the junction box. Secure the CAP using the provided #6-32 x 1/2in screws (See Figure 5).

Figure 5 – Mounting Light Fixture

