

OPERATION

Please refer to the [Electrical Installation](#) for proper connection to power and control.

The Silescent® HLM/HRM series Line-Voltage High Bay Fixture provides for instant ON/OFF operation as well as dimming (if specified). If specified the fixture may be dimmed through output cable by connecting a resistance or 1~10Vdc or 10V PWM signal between DIM+ and DIM-.

Driver (see item code):

- **M1A:** 90 - 305VAC_{in}, ON/Off
- **M1B:** 90 - 305VAC_{in}, 1~10Vdc or 10V PWM dimming

Figure 1 – HLM Fixture

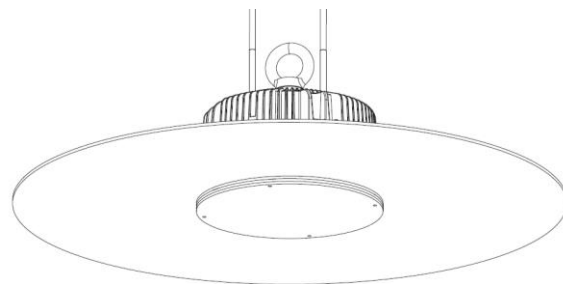
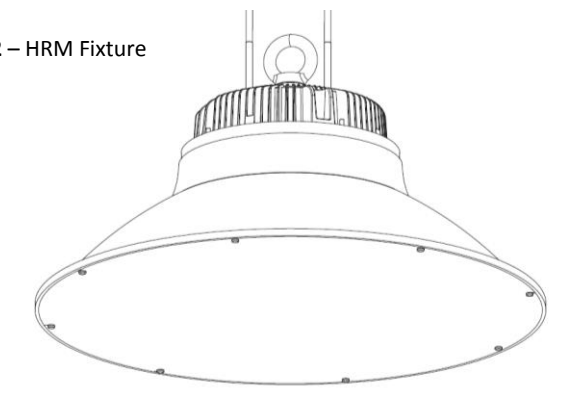


Figure 2 – HRM Fixture



IMPORTANT NOTES *(please read before installation)*

For Use with the following input power sources (nominal):

- Voltage Range:.....90 - 305VAC_{in}, 127 - 431VDC
- Frequency Range:.....47 - 63Hz
- AC Current (typ.):.....2.5A/115VAC, 1.3A/230VAC, 1.2A/277VAC

Wiring Notes

- Always TURN OFF POWER before installation.
- Install according to national and local electrical codes.

Electrical Connections

- Make all electrical and grounded connections in accordance with the National Electrical Code (NEC and any applicable local code requirements).
- All wiring connections should be capped with UL approved recognized wire connectors.

Compatible Controls

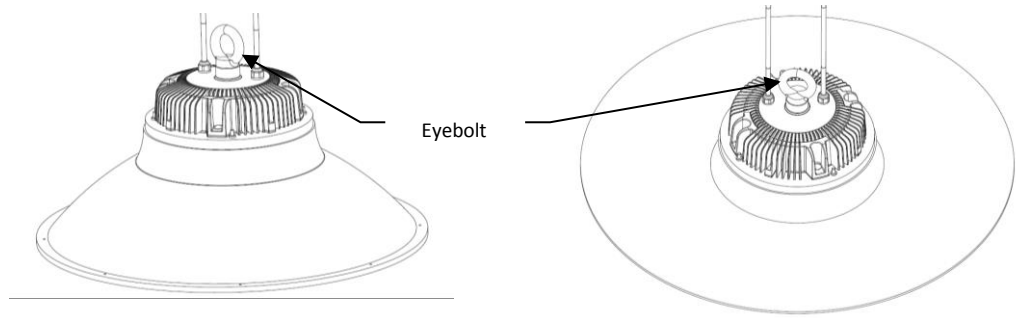
- UL approved 120-277 VAC ON/OFF switch.
- Dimming: contact manufacturer for specific dimming requirements (if specified).

Cleaning Instructions

- TURN LIGHT OFF BEFORE CLEANING.
- The light may be cleaned with water only. Do not use solvents to clean the plastic diffuser.
- The back of the unit is physically protected by a metal enclosure but is not water sealed, please keep dry. There are no serviceable parts or settings required for this unit.

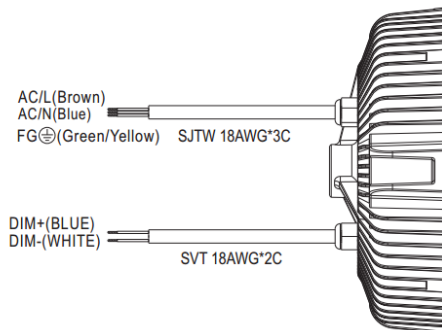
MECHANICAL INSTALLATION

1. Unpack shipping container and separate components.
2. The fixture may be mounted using chain (not provided) or Hanger (e.g., Rigid Pipe, threaded Rod; not provided).
 - a. Chain Mount: secure fixture to chain using the EYEBOLT located on the top of the fixture.
 - b. Hanger Mount (rigid pipe/rod): Remove the EYEBOLT at the top of the fixture and secure fixture to Rigid Pipe or Threaded Rod.
 - i. HBG-240: M12x1.75-18h Thread Size
 - ii. HBG-160: M10x1.5-18h Thread Size
 - c. Be certain that chain or hanger is securely installed in accordance to national and local building code requirements.

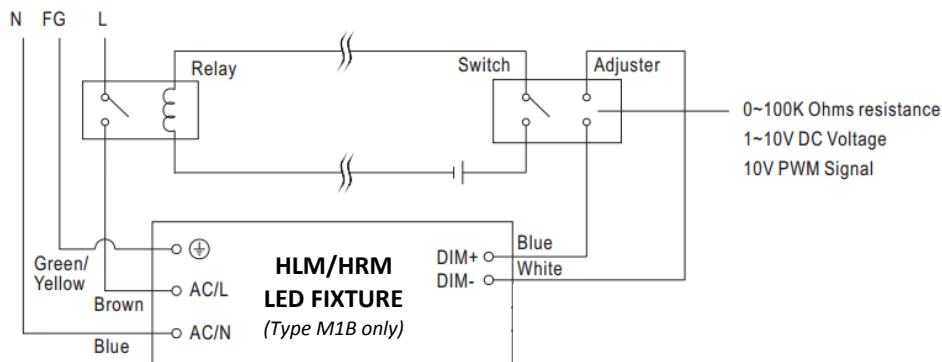


ELECTRICAL INSTALLATION

1. ON/OFF Application:
 - a. Locate and connect supply power to the 3-conductor cable (Brown=AC/L, Blue=AC/N, Green/Yellow=FG).
 - b. Make all electrical connections inside approved enclosure and/or using approved connectors.



2. Dimming (MB1 series only): Using the built-in dimming function on B-type model can't turn the lighting fixture totally dark.
 - a. Please refer to the connection method below to achieve 0% brightness of the lighting fixture.
 - b. Using a switch and relay can turn ON/OFF the light fixture.
 - c. Dimming level can be adjusted by connecting a resistance or 1-10Vdc or 10V PWM signal between the DIM+ and DIM-.



➤ Note: Cable Joiners can be purchased independently for user's own assembly (e.g., Mean Well order No.: CJ04-2 or UT-4076 or UT-4010-P-04). Be sure to specify proper voltage rating.