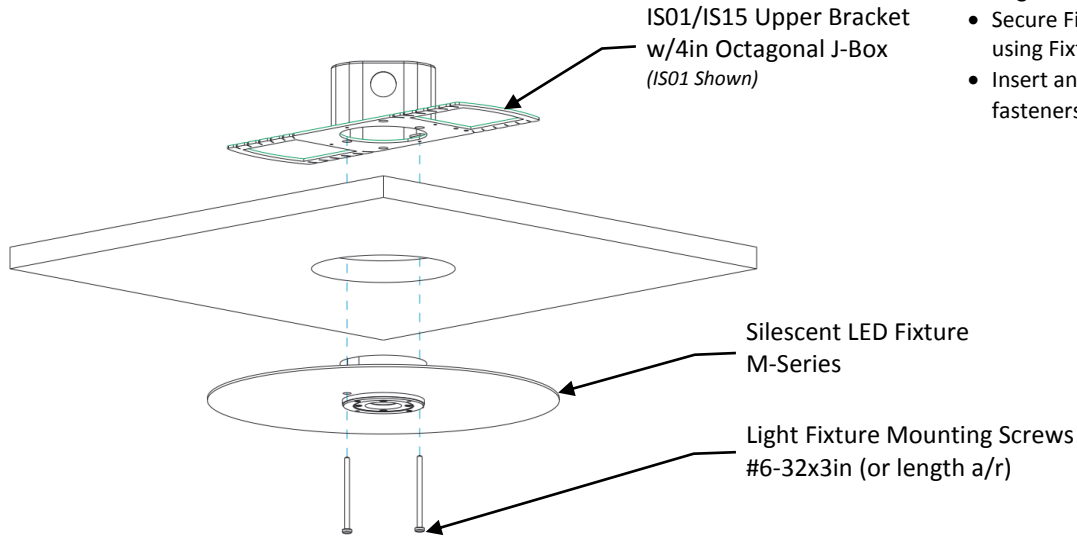


M-Series Fixture Assembly (Mounting & Optic Attach)

1) MOUNT FIXTURE



Install Fixture:

- Insert IS01/IS15 Upper Bracket above ceiling;
 - Note: attach Octagonal J-Box to Bracket a/r.
- Align fixture to mounting holes on Bracket.
- Secure Fixture to Bracket “clamping” to ceiling using Fixture Mounting Screws.
- Insert and tighten two (2) Nylon Standoff fasteners (#6-32x1/4in).

2) ATTACH DIFFUSER

Attach Diffuser Kit (MD1 or MD3) to Fixture:

- Align Diffusers to fixture and attach using two (2) Nylon Screws (#6-32x1/4in)

