



LED GARAGE CEILING FIXTURE

40watt, 12" Flush Mount Low Profile LED Downlight
120VAC_{in}, On/Off

FEATURES & BENEFITS

This high lumen Garage ceiling fixture delivers crisp lighting that can properly light up any garage. Ideal solution to reduce fixture count while increasing the lighting levels and distribution within the room.

ENERGY EFFICIENT – This high lumen, low wattage product offers exceptional energy efficient value.

MAINTENANCE FREE – Eliminates costly bulb and/or ballast replacements, lens cleaning/replacements due to UV yellowing and is corrosion resistant. Reduces unnecessary landfill & disposal.

ARCHITECTURALLY PLEASING DESIGN – The design patented fixture (No.: D604,008) looks outstanding in either the ON or OFF state.

PLEASING LAMP COLOR – High CRI value (>80) delivering pure (visible) light spectrum lighting originating from the highest quality COB array's producing the most vibrant of colors.

WIDE AREA LIGHT DISTRIBUTION – 170 degree distribution provides remarkable light coverage.

DIMMING – 120VAC dimming capable; see Silescent Dimming Capabilities and Compatibility chart available at www.silescent.com.

SANITARY DESIGN – The entire room side surface of the fixture can be easily cleaned and disinfected; the fixture has been designed to eliminate or minimize dust and germ collecting surfaces (IP65 rated).

ENVIRONMENTALLY FRIENDLY – No Hazardous Mercury Content.

LISTINGS & COMPLIANCE – UL1598 listed Canada & US (ETL label), wet location under cover ceiling, IP65 rated, RoHS compliant.

THERMAL MANAGEMENT - Patented (No.'s: 7,810,960 & 8,360,614) HEAT FORWARD/LIGHT FORWARD proprietary technology using its thermal radiating trim ring which also provides mounting and style.

EXTRA LONG LIFE – 100,000 operating hours (@ 10 hrs/day is > 27 years)

WARRANTY – 5 year limited warranty, both LED and driver. Full warranty details available at www.silescent.com

EASY MOUNTING/INSTALLATION – *New Construction & Surface Mount Retrofit:* mounts directly into any standard 1900 (4S) or Octagonal JBox. *Recessed Can Retrofit:* mounts directly into any 4" or larger recessed fixture with Silescent single or 2-piece mount kit. *Pendant:* using rigid metal conduit or equivalent into 1900 (4S) or Octagonal J-Box. *Install in RM, IC, ICAT & Fire Rated applications.*

MADE IN USA – Both driver and fixture are designed, engineered and mfr'd by Silescent Lighting in Ft. Lauderdale FL (ARRA & NAFTA compliant).



ELECTRICAL DATA

- **Operating Temp:** -40°C to +40°C
- **Ambient Temp:** <35°C
- **Nominal Voltage:** 120/277VAC_{in}
- **Operating Voltage:** 103 – 285VAC, 50 / 60 Hz

PERFORMANCE SUMMARY

- **Lumens:** 3520 lumens (*delivered*)
- **Wattage:** 40 watts
- **Efficacy:** 88 lumens/watt
- **CCT:** 5000 Kelvin (>80CRI)
- **IP Rating:** IP65 rated

SPECIFICATIONS

THERMAL RING STYLE – 12 inch, Round-Flat Thermal Ring.

FINISH – Standard Powder Coat White Finish.

INPUT VOLTAGE – 120/277VAC_{in} (Silescent HN3 driver)

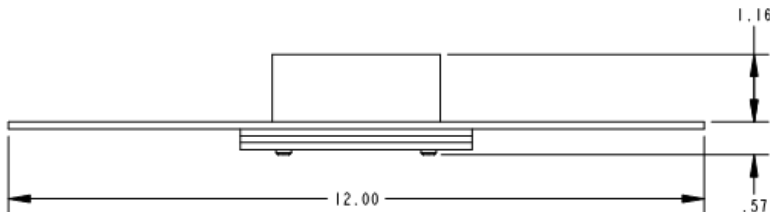
LAMP TEMPERATURES (CCT) – 5000 Kelvin (CRI>80)

OPTIC – Double Diffuser, 170 degree distribution.

WATTAGE – 40 watts.

FIXTURE WEIGHT – 2.0lbs

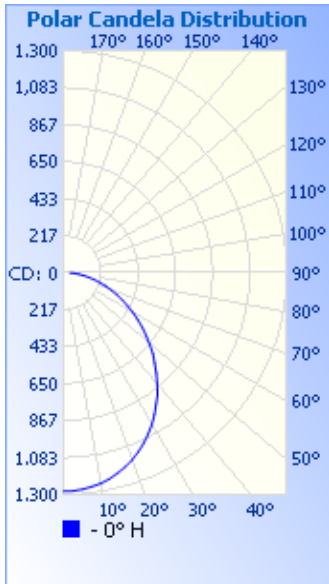
Standard options available upon request (Finish & CCT). Pricing & lead-times may be affected. Contact Manufacturer.



Silescent LED LED Garage Ceiling Fixture, 40watts

Photometric Data

M1211HN40: Double Diffuser, 120/277VACin, 5000k, 38.1 Watts, 3354.1 Delivered Lumens, 88.0 Lm/W (measured)

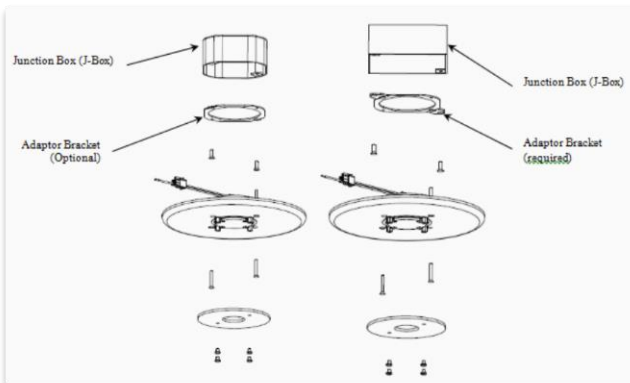


Lumens Per Zone			Zonal Lumen Summary		
Zone	Lumens	% Total	Zone	Lumens	% Luminaire
0-10	121.2	3.6%	0-30	973.8	29%
10-20	343.8	10.2%	0-40	1,563.6	46.6%
20-30	508.7	15.2%	0-60	2,647.6	78.9%
30-40	589.9	17.6%	60-90	706.4	21.1%
40-50	581.6	17.3%	0-90	3,354.1	100%
50-60	502.5	15.0%			
60-70	376.4	11.2%			
70-80	231.3	6.9%			
80-90	98.7	2.9%			

	Illuminance at a Distance	
	Center Beam fc	Beam Width
2.0ft	321.5 fc	4.9 ft
4.0ft	80.4 fc	9.8 ft
6.0ft	35.7 fc	14.7 ft
8.0ft	20.1 fc	19.6 ft
10.0ft	12.9 fc	24.5 ft
12.0ft	8.9 fc	29.4 ft

■ Beam Spread: 101.5°

*.ies files available upon request
(contact manufacturer)*



Typical Installation Views mounting directly into standard octagonal or square junction Box.

Catalog #:	M1211HN40	Type
Project:		
Comments:		Date
Prepared by:		