



LED HALLWAY FIXTURE

15watt, 8" Flush Mount Low Profile LED Downlight
ENERGY STAR® Certified, 120VAC_{in}, Dimming



FEATURES & BENEFITS

This stylish wide view angle hallway fixture is an ideal solution for, new construction and/or retro-fit installations where surface mount or recessed lighting is required.

ENERGY EFFICIENT – This high lumen, low wattage product offers exceptional energy efficient value.

MAINTENANCE FREE – Eliminates costly bulb and/or ballast replacements, lens cleaning/replacements due to UV yellowing and is corrosion resistant. Reduces unnecessary landfill & disposal.

ARCHITECTURALLY PLEASING DESIGN – The design patented fixture (No.: D602,195) looks outstanding in either the ON or OFF state.

PLEASING LAMP COLOR – High CRI value (>80) delivering pure (visible) light spectrum lighting originating from the highest quality COB array's producing the most vibrant of colors.

WIDE AREA LIGHT DISTRIBUTION – 170 degree distribution provides remarkable light coverage.

DIMMING – 120VAC dimming capable; see Silescent Dimming Capabilities and Compatibility chart available at www.silescent.com.

SANITARY DESIGN – The entire room side surface of the fixture can be easily cleaned and disinfected; the fixture has been designed to eliminate or minimize dust and germ collecting surfaces (IP65 rated).

ENVIRONMENTALLY FRIENDLY – No Hazardous Mercury Content.

LISTINGS & COMPLIANCE – ENERGY STAR certified LED Downlight, UL1598 listed Canada & US (ETL label), wet location under cover ceiling, IP65 rated, RoHS compliant.

THERMAL MANAGEMENT - Patented (No.'s: 7,810,960 & 8,360,614) HEAT FORWARD/LIGHT FORWARD proprietary technology.

EXTRA LONG LIFE – 100,000 operating hours (@ 10 hrs/day is > 27 years)

WARRANTY – 5 year limited warranty, both LED and driver. Full warranty details available at www.silescent.com

EASY MOUNTING/INSTALLATION – *New Construction & Surface Mount Retrofit:* mounts directly into any standard 1900 (4S) or Octagonal JBox. *Recessed Can Retrofit:* mounts directly into any 4" or larger recessed fixture with Silescent single or 2-piece mount kit. *Install in RM, IC, ICAT & Fire Rated applications.*

MADE IN USA – Both driver and fixture are designed, engineered and mfr'd by Silescent Lighting in Ft. Lauderdale FL (ARRA & NAFTA compliant).

SPECIFICATIONS

TRIM RING STYLE – 8 inch, Round-Step

FINISH – Standard Powder Coat White Finish.

INPUT VOLTAGE – 120VAC_{in} (Silescent LP3 driver)

LAMP TEMPERATURES (CCT) – 3000 Kelvin (CRI>80)

OPTIC – Double Diffuser, 170 degree distribution.

WATTAGE – 15 watts.

FIXTURE WEIGHT – 1.0lbs

Standard options available upon request (Finish & CCT). Pricing & lead-times may be affected. Contact Manufacturer.



MADE IN USA

Silescent Lighting Corp. • 1417 S.W. 1st Ave. • Ft. Lauderdale, FL 33315 • P: 877.766.8448 • F: 954.206.0071 • www.silescent.com • info@silescent.com

March 15, 2016

R01-06a

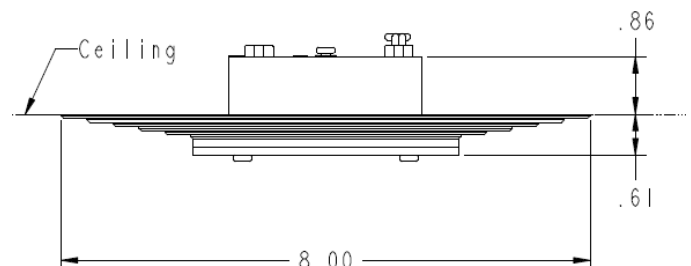


ELECTRICAL DATA

- **Operating Temp:** -40°C to +40°C
- **Ambient Temp:** <35°C
- **Nominal Voltage:** 120 VAC_{in}
- **Operating Voltage:** 103 – 125VAC, 50 / 60 Hz

PERFORMANCE SUMMARY

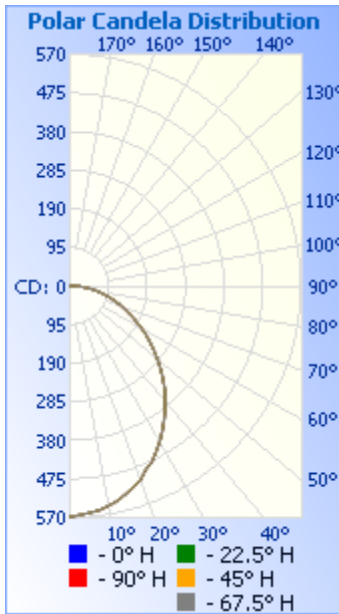
- **Lumens:** 1,440 lumens (*delivered*)
- **Wattage:** 15 watts
- **Efficacy:** **96 lumens/watt**
- **CCT:** 2700 Kelvin (>80CRI)
- **IP Rating:** IP65 rated



Silescent LED HALLWAY FIXTURE, 15watts

Photometric Data

UPC: **692193787907**: Diffuser, 120VACin, 2700k, 14.9Watts, 1440.7 Delivered Lumens, 96.7 Lm/W (measured)
 Mfr Item Code: S085C01LP327DM115w

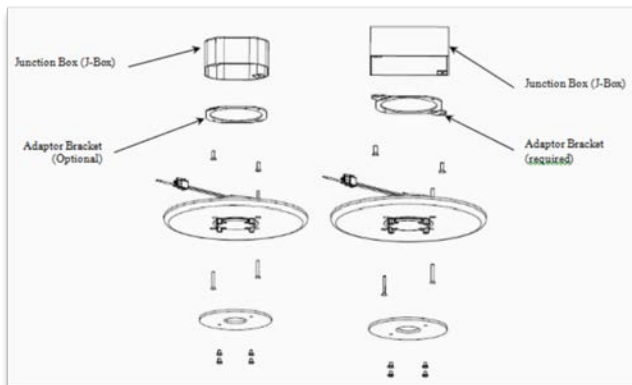


Zonal Lumen Summary			Lumens Per Zone		
Zone	Lumens	% Luminaire	Zone	Lumens	% Total
0-30	419.3	29.1%	0-10	52.8	3.7%
0-40	670.7	46.6%	10-20	148.6	10.3%
0-60	1,134.4	78.7%	20-30	217.8	15.1%
60-90	304.1	21.1%	30-40	251.4	17.5%
70-100	146.0	10.1%	40-50	249.0	17.3%
90-120	2.2	0.2%	50-60	214.7	14.9%
0-90	1,438.5	99.8%	60-70	160.3	11.1%
90-180	2.2	0.2%	70-80	100.9	7.0%
0-180	1,440.7	100%	80-90	42.9	3.0%

Illuminance at a Distance		
	Center Beam fc	Beam Width
4.3ft	30.6 fc	10.2 ft
8.7ft	7.46 fc	20.6 ft
13.0ft	3.34 fc	30.8 ft
17.3ft	1.89 fc	41.0 ft
21.7ft	1.20 fc	51.4 ft
26.0ft	0.84 fc	61.6 ft

■ Beam Spread: 99.6°

.ies files available upon request
 (contact manufacturer)
 File: TR217-T5



Typical Installation Views mounting directly into standard octagonal or square junction Box (left). Alternatively, use the Recessed Can Light Conversion Bracket kit to replace those inefficient recessed can lights (right). Order separately.



UPC:	692193787907	Type
Project:		
Comments:		Date
Prepared by:		