



LED KITCHEN & BATHROOM SOFFIT FIXTURE

15watt, 6" Flush Mount Low Profile Downlight
ENERGY STAR® Certified, 120VAC_{in}, Dimming



SPECIFICATIONS & FEATURES

These stylish and elegant LED Fixtures are an ideal solution for Kitchen and/or Bathroom soffits. Ideal for both residential and commercial kitchens.

ENERGY EFFICIENT – This high lumen, low wattage product offers exceptional energy efficient value.

MAINTENANCE FREE – Eliminates costly bulb and/or ballast replacements, lens cleaning/replacements due to UV yellowing and is corrosion resistant. Reduces unnecessary landfill & disposal.

ARCHITECTURALLY PLEASING DESIGN – The design patented fixture (No.: D604,008) looks outstanding in either the ON or OFF state.

PLEASING LAMP COLOR – High CRI value (>80) delivering pure (visible) light spectrum lighting originating from the highest quality COB array's producing the most vibrant of colors.

CONTROLLED LIGHT DISTRIBUTION – 120 degree light distribution (60 degree Cutoff) directing light to where it's wanted.

DIMMING – 120VAC dimming capable; see Silescent Dimming Capabilities and Compatibility chart available at www.silescent.com.

SANITARY DESIGN – The entire room side surface of the fixture can be easily cleaned and disinfected; the fixture has been designed to eliminate or minimize dust and germ collecting surfaces (IP65 rated).

ENVIRONMENTALLY FRIENDLY – No Hazardous Mercury Content.

LISTINGS & COMPLIANCE – ENERGY STAR certified LED Downlight, UL1598 listed Canada & US (ETL label), wet location under cover ceiling, IP65 rated, RoHS compliant.

THERMAL MANAGEMENT - Patented (No.'s: 7,810,960 & 8,360,614) HEAT FORWARD/LIGHT FORWARD proprietary technology.

EXTRA LONG LIFE – 100,000 operating hours (@ 10 hrs/day is > 27 years)

WARRANTY – 5 year limited warranty, both LED and driver. Full warranty details available at www.silescent.com

EASY MOUNTING/INSTALLATION – *New Construction & Surface Mount Retrofit:* mounts directly into any standard 1900 (4S) or Octagonal JBox. *Recessed Can Retrofit:* mounts directly into any 4" or larger recessed fixture with Silescent single or 2-piece mount kit. *Install in RM, IC, ICAT & Fire Rated applications.*

MADE IN USA – Both driver and fixture are designed, engineered and mfr'd by Silescent Lighting in Ft. Lauderdale FL (ARRA & NAFTA compliant).



ELECTRICAL DATA

- **Operating Temp:** -40°C to +40°C
- **Ambient Temp:** <35°C
- **Nominal Voltage:** 120 VAC_{in}
- **Operating Voltage:** 103 – 125VAC, 50 / 60 Hz

PERFORMANCE SUMMARY

- **Lumens:** 1,872 lumens (*delivered*)
- **Wattage:** 15 watts
- **Efficacy:** **124 lumens/watt**
- **CCT:** 4000 Kelvin (>80CRI)
- **IP Rating:** IP65 rated

SPECIFICATIONS

TRIM RING STYLE – 6 inch, Round-Dish

FINISH – Standard Powder Coat White Finish.

INPUT VOLTAGE – 120VAC_{in} (Silescent LP3 driver)

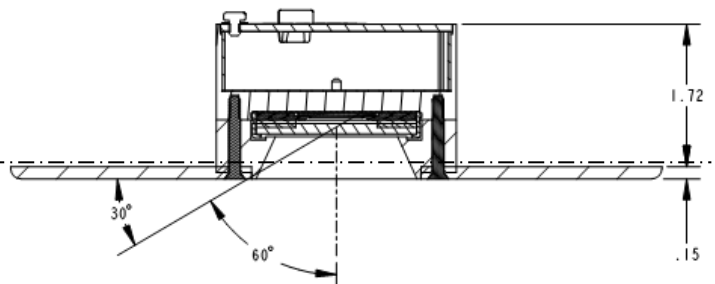
LAMP TEMPERATURES (CCT) – 4000 Kelvin (CRI>80)

OPTIC – RecessedLED, 60 degree cutoff angle.

WATTAGE – 15 watts.

FIXTURE WEIGHT – 1.0lbs

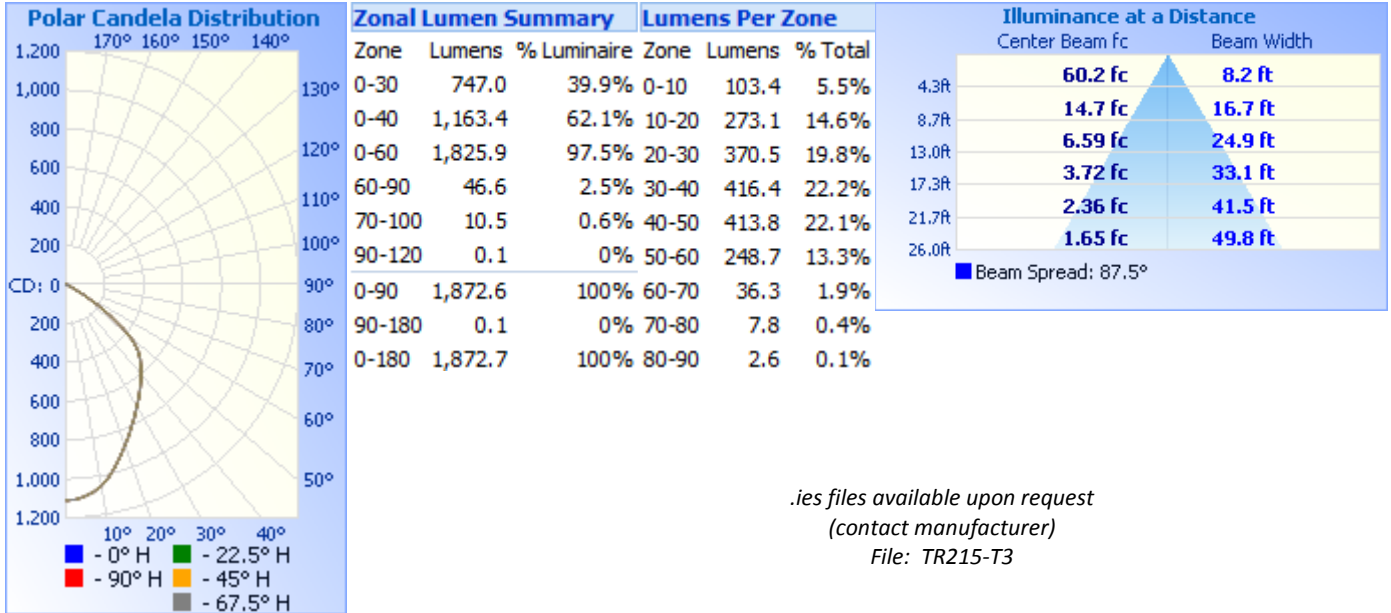
Standard options available upon request (Finish & CCT). Pricing & lead-times may be affected. Contact Manufacturer.



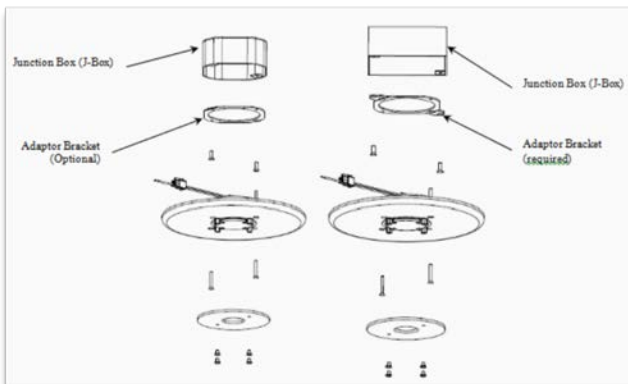
Silescent LED KITCHEN/BATHROOM SOFFIT FIXTURE

Photometric Data

UPC: **692193787860**: 60 degree cutoff, 120VACin, 4000k, 15Watts, 1872.7 Delivered Lumens, 124.8 lm/W (measured)
 Mfr Item Code: F062C01LP340F3015w



.ies files available upon request
 (contact manufacturer)
 File: TR215-T3



Typical Installation Views mounting directly into standard octagonal or square junction Box (left). Alternatively, use the Recessed Can Light Conversion Bracket kit to replace those inefficient recessed can lights (right). Order separately.



UPC: 692193787860	Type
Project:	
Comments:	Date
Prepared by:	