



## HIGH BAY LED FIXTURE

Reflective Series, Ultra High Lumen LED Downlight  
145watt, 120-277VAC<sub>in</sub>, Wide Angle, 141 lm/W

### FEATURES & BENEFITS

This Stylish, Reflective Series High Bay LED light fixture is an ideal solution for high ceiling (≥25ft) Commercial and Industrial building spaces including School Gymnasiums, industrial warehousing, storage facilities, airport hangers or any other area requiring extra high lumen, high product reliability.

**ENERGY EFFICIENT** – This high lumen, low wattage product offers exceptional energy efficient value.

**MAINTENANCE FREE** – Eliminates costly bulb and/or ballast replacements, lens cleaning/replacements due to UV yellowing and is corrosion resistant. Reduces unnecessary landfill & disposal.

**ARCHITECTURALLY PLEASING DESIGN** – The Silescent Fixture looks outstanding in either the ON or OFF state.

**PLEASING LAMP COLOR** – High quality LEDs delivering pure (visible) light spectrum lighting originating from the highest quality COB array's producing the most vibrant of colors.

**WIDE AREA LIGHT DISTRIBUTION** – 170 degree distribution provides remarkable light coverage throughout the facility. Eliminates dark corners and provides floor to ceiling even distribution.

**INSTANT ON/OFF** – Events start on time, end on time with the ability to turn on/off these fixtures on-demand and as needed saving further energy costs.

**SANITARY DESIGN** – The entire room side surface of the fixture can be easily cleaned and disinfected; the fixture has been designed to eliminate or minimize dust and germ collecting surfaces (IP65 rated).

**ENVIRONMENTALLY FRIENDLY** – No Hazardous Mercury Content.

**LISTINGS & COMPLIANCE** – UL1598 listed Canada & US (ETL label), wet location under cover ceiling, RoHS compliant.

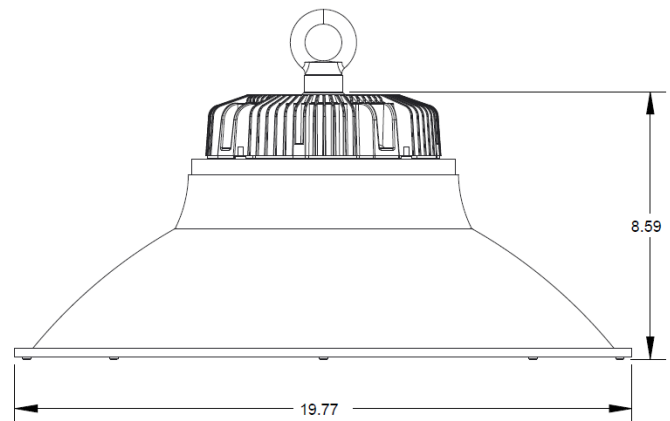
**THERMAL MANAGEMENT** - Patented (No.'s: 7,810,960 & 8,360,614) HEAT FORWARD/LIGHT FORWARD proprietary technology.

**EXTRA LONG LIFE** – 100,000 operating hours (@ 10 hrs/day is > 27 years)

**WARRANTY** – 5 year limited warranty, both LED and driver. Full warranty details available at [www.silescent.com](http://www.silescent.com)

**EASY MOUNTING/INSTALLATION** – *New Construction & Retrofit:* Chain mount

**MADE IN USA** – Designed, engineered and mfr'd by Silescent Lighting in Ft. Lauderdale FL (ARRA & NAFTA compliant).



### ELECTRICAL DATA

- **Operating Temp:** ..... -40°C ~ +60°C
- **Ambient Temp:** ..... <35°C
- **Nominal Voltage:** ..... 120/230/277 VAC<sub>in</sub>
- **Operating Voltage:** ..... 90 – 305VAC, 50 / 60 Hz
- **Power Factor:** ..... >98%/115V, >95%/230V, >93%/277V
- **AC Current (Typ):** ..... 2.5A/115V, 1.3A/230V, 1.2A/277V

### CONSTRUCTION

- **Dimensions:** ..... Reflective: 19.77in (dia.) x 8.6in (H)
- **Weight:** ..... <13 lbs.

### RATINGS/WARRANTY

- **Life Rating:** ..... 100,000 hours
- **Warranty:** ..... 5 years

### PERFORMANCE SUMMARY

- **Light Output:** ..... 20,416 Lumens
- **Wattage:** ..... 145
- **CCT:** ..... 5000 Kelvin, >70CRI
- **Efficacy:** ..... 141 lumens/watt

### SPECIFICATIONS

**THERMAL TRIM RING STYLE** – 20 inch diameter Thermal Housing

**FINISH** – Standard Powder Coat Matte White Finish.

**INPUT VOLTAGE** – 120 - 277VAC<sub>in</sub>

**LAMP TEMPERATURES (CCT)** – 5000 Kelvin (CRI>70)

**OPTIC** – Diffuser, ~170 degree distribution.

**WATTAGE** – 145 watts

**FIXTURE WEIGHT** – 13.0lbs (including chain mount)

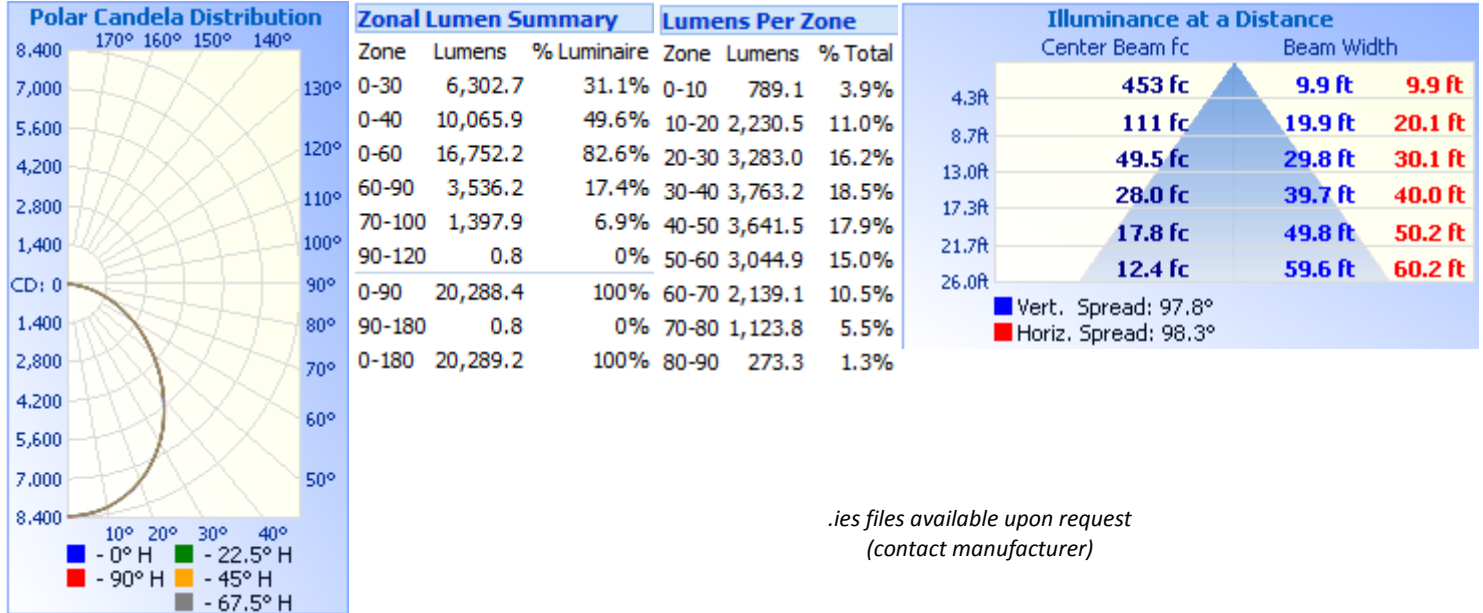
Standard options available upon request (Finish & CCT). Pricing & lead-times may be affected. Contact Manufacturer.



# Silescent LED HIGH BAY LED FIXTURE, 145watts

# Photometric Data

UPC# 692193787839: 120-277VACin, 5000k, 70CRI, 144.1 Watts, 20,289 Delivered Lumens, 141 Lm/W (measured)



## AFTER REPLACEMENT OF 400WATT METAL HALIDE



UPC/SKU #:	<b>692193787839</b>	Type
Project:		
Comments:		Date
Prepared by:		