



## AUDITORIUM / THEATRE LED FIXTURE

Low Profile High Lumen LED Downlight, 40 watts  
120VAC<sub>in</sub>, Dimming, Wide Angle

### FEATURES & BENEFITS

*Silescent Auditorium / Theatre lighting was designed to be a direct fixture replacement for existing high wattage incandescent lamp types whether recessed or pendant mounted for either new construction or retro-fit installations.*

**ENERGY EFFICIENT** – This high lumen, low wattage product offers exceptional energy efficient value.

**MAINTENANCE FREE** – Eliminates costly bulb and/or ballast replacements in difficult to replace fixture locations. Reduces unnecessary landfill & disposal.

**DIMMING** – Provides Triac/Phase Dimming (conventional incandescent wall dimmer). See Silescent Dimming Capabilities and Compatibility chart available at [www.silescent.com](http://www.silescent.com)

**ARCHITECTURALLY PLEASING DESIGN** – The design patented fixture (No.: D604,008) looks outstanding in either the ON or OFF state.

**PLEASING LAMP COLOR** – High CRI value (>80) delivering pure (visible) light spectrum lighting originating from the highest quality COB array's producing the most vibrant of colors.

**WIDE AREA LIGHT DISTRIBUTION** – 170 degree distribution provides remarkable light coverage.

**ENVIRONMENTALLY FRIENDLY** – No Hazardous Mercury Content.

**LISTINGS & COMPLIANCE** – UL1598 listed Canada & US (ETL label), wet location under cover ceiling, IP65 rated, RoHS compliant.

**THERMAL MANAGEMENT** - Patented (No.'s: 7,810,960 & 8,360,614) HEAT FORWARD/LIGHT FORWARD proprietary technology using its thermal radiating trim ring provides the longest operating life in the industry.

**EXTRA LONG LIFE** – 100,000 operating hours (@ 10 hrs/day is > 27 years)

**WARRANTY** – 5 year limited warranty, both LED and driver. Full warranty details available at [www.silescent.com](http://www.silescent.com)

**EASY MOUNTING/INSTALLATION** – *New Construction & Surface Mount Retrofit:* mounts directly into any standard 1900 (4S) or Octagonal JBox. *Recessed Can Retrofit:* mounts directly into any 4" or larger recessed fixture with Silescent single or 2-piece mount kit. *Pendant:* using rigid metal conduit or equivalent into 1900 (4S) or Octagonal J-Box. *Install in RM, IC, ICAT & Fire Rated applications.*

**MADE IN USA** – Both driver and fixture are designed, engineered and mfr'd by Silescent Lighting in Ft. Lauderdale FL (ARRA & NAFTA compliant).



### ELECTRICAL DATA

- **Operating Temp:** -40°C to +40°C
- **Ambient Temp:** <35°C
- **Nominal Voltage:** 120 VAC<sub>in</sub>
- **Operating Voltage:** 103 – 125 VAC, 50 / 60 Hz

### PERFORMANCE SUMMARY

- **Lumens:** 4440 lumens (*delivered*)
- **Wattage:** 40 watts
- **Efficacy:** **111 lumens/watt**
- **CCT:** 4000 Kelvin (>80CRI)
- **IP Rating:** IP65 rated

### SPECIFICATIONS

**THERMAL RING STYLE** – 12 inch, Round-Flat Thermal Ring.

**FINISH** – Standard Powder Coat Black Finish.

**INPUT VOLTAGE** – 120VAC<sub>in</sub> (Silescent LP3 driver)

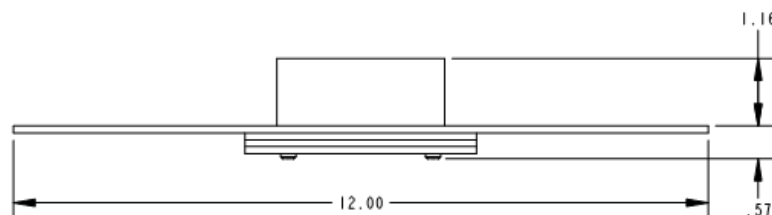
**LAMP TEMPERATURES (CCT)** – 4000 Kelvin (CRI>80)

**OPTIC** – Double Diffuser, 170 degree distribution.

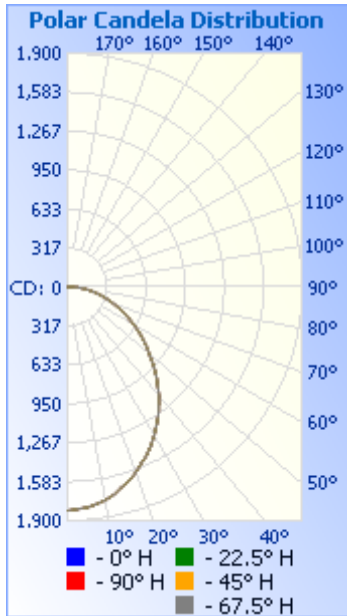
**WATTAGE** – 40 watts.

**FIXTURE WEIGHT** – 1.6lbs

*Standard options available upon request (Finish & CCT). Pricing & lead-times may be affected. Contact Manufacturer.*



UPC: 692193787723: Diffuser, 120VAC<sub>in</sub>, 4000k, 40.8 Watts, 4564.0 Delivered Lumens, 111.8 Lm/W (measured)  
 Mfr Item Code: M121C08LP340DM140w



Zonal Lumen Summary			Lumens Per Zone		
Zone	Lumens	% Luminaire	Zone	Lumens	% Total
0-30	1,344.3	29.5%	0-10	170.9	3.7%
0-40	2,143.8	47%	10-20	477.5	10.5%
0-60	3,596.1	78.8%	20-30	695.9	15.2%
60-90	961.0	21.1%	30-40	799.5	17.5%
70-100	463.5	10.2%	40-50	781.4	17.1%
90-120	6.9	0.2%	50-60	670.9	14.7%
90	4,557.1	99.8%	60-70	504.3	11.1%
80	6.9	0.2%	70-80	317.2	7.0%
0-180	4,564.0	100%	80-90	139.4	3.1%

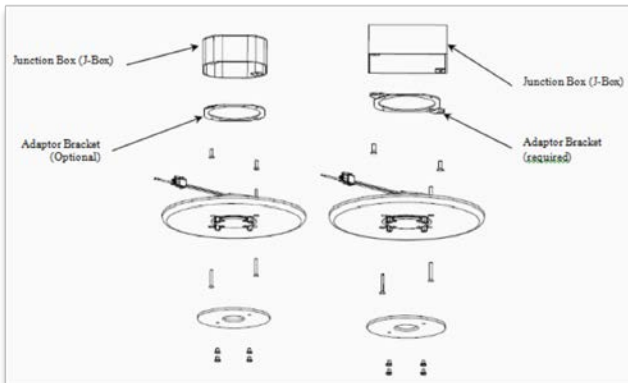
Illuminance at a Distance		
	Center Beam fc	Beam Width
4.3R	98.7 fc	9.8 ft
8.7R	24.1 fc	19.7 ft
13.0R	10.8 fc	29.5 ft
17.3R	6.10 fc	39.3 ft
21.7R	3.88 fc	49.3 ft
26.0R	2.70 fc	59.0 ft

■ Beam Spread: 97.2°

.ies files available upon request  
 (contact manufacturer)  
 File: TR217-T3



Seamless integration with the auditorium's lighting systems allowed for easy installation and high quality functionality.



Typical Installation Views mounting directly into standard octagonal or square junction Box (left). Alternatively, use the Recessed Can Light Conversion Bracket kit to replace those inefficient recessed can lights (right). Order separately.



UPC:	692193787723	Type
Project:		
Comments:		Date
Prepared by:		