



AUDITORIUM / THEATRE LED FIXTURE

Low Profile High Lumen LED Downlight, 30 watts
120VAC_{in}, Dimming, Wide Angle



FEATURES & BENEFITS

Silescent Auditorium / Theatre lighting was designed to be a direct fixture replacement for existing high wattage incandescent lamp types whether recessed or pendant mounted for either new construction or retro-fit installations.

ENERGY EFFICIENT – This high lumen, low wattage product offers exceptional energy efficient value.

MAINTENANCE FREE – Eliminates costly bulb and/or ballast replacements in difficult to replace fixture locations. Reduces unnecessary landfill & disposal.

DIMMING – Provides Triac/Phase Dimming (conventional incandescent wall dimmer). See Silescent Dimming Capabilities and Compatibility chart available at www.silescent.com

ARCHITECTURALLY PLEASING DESIGN – The design patented fixture (No.: D604,008) looks outstanding in either the ON or OFF state.

PLEASING LAMP COLOR – High CRI value (>80) delivering pure (visible) light spectrum lighting originating from the highest quality COB array's producing the most vibrant of colors.

WIDE AREA LIGHT DISTRIBUTION – 170 degree distribution provides remarkable light coverage.

ENVIRONMENTALLY FRIENDLY – No Hazardous Mercury Content.

LISTINGS & COMPLIANCE – UL1598 listed Canada & US (ETL label), wet location under cover ceiling, IP65 rated, RoHS compliant.

THERMAL MANAGEMENT - Patented (No.'s: 7,810,960 & 8,360,614) HEAT FORWARD/LIGHT FORWARD proprietary technology using its thermal radiating trim ring provides the longest operating life in the industry.

EXTRA LONG LIFE – 100,000 operating hours (@ 10 hrs/day is > 27 years)

WARRANTY – 5 year limited warranty, both LED and driver. Full warranty details available at www.silescent.com

EASY MOUNTING/INSTALLATION – *New Construction & Surface Mount Retrofit:* mounts directly into any standard 1900 (4S) or Octagonal JBox. *Recessed Can Retrofit:* mounts directly into any 4" or larger recessed fixture with Silescent single or 2-piece mount kit. *Pendant:* using rigid metal conduit or equivalent into 1900 (4S) or Octagonal J-Box. *Install in RM, IC, ICAT & Fire Rated applications.*

MADE IN USA – Both driver and fixture are designed, engineered and mfr'd by Silescent Lighting in Ft. Lauderdale FL (ARRA & NAFTA compliant).

ELECTRICAL DATA

- **Operating Temp:** -40°C to +40°C
- **Ambient Temp:** <35°C
- **Nominal Voltage:** 120 VAC_{in}
- **Operating Voltage:** 103 – 125 VAC, 50 / 60 Hz

PERFORMANCE SUMMARY

- **Lumens:** 3,363 lumens (*delivered*)
- **Wattage:** 30 watts
- **Efficacy:** **112 lumens/watt**
- **CCT:** 4000 Kelvin (>80CRI)
- **IP Rating:** IP65 rated

SPECIFICATIONS

THERMAL RING STYLE – 12 inch, Round-Flat Thermal Ring.

FINISH – Standard Powder Coat Black Finish.

INPUT VOLTAGE – 120VAC_{in} (Silescent LP3 driver)

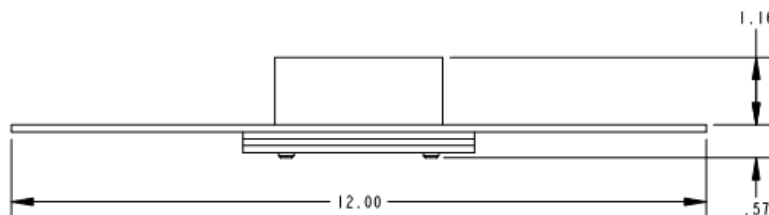
LAMP TEMPERATURES (CCT) – 4000 Kelvin (CRI>80)

OPTIC – Diffuser, wide area distribution.

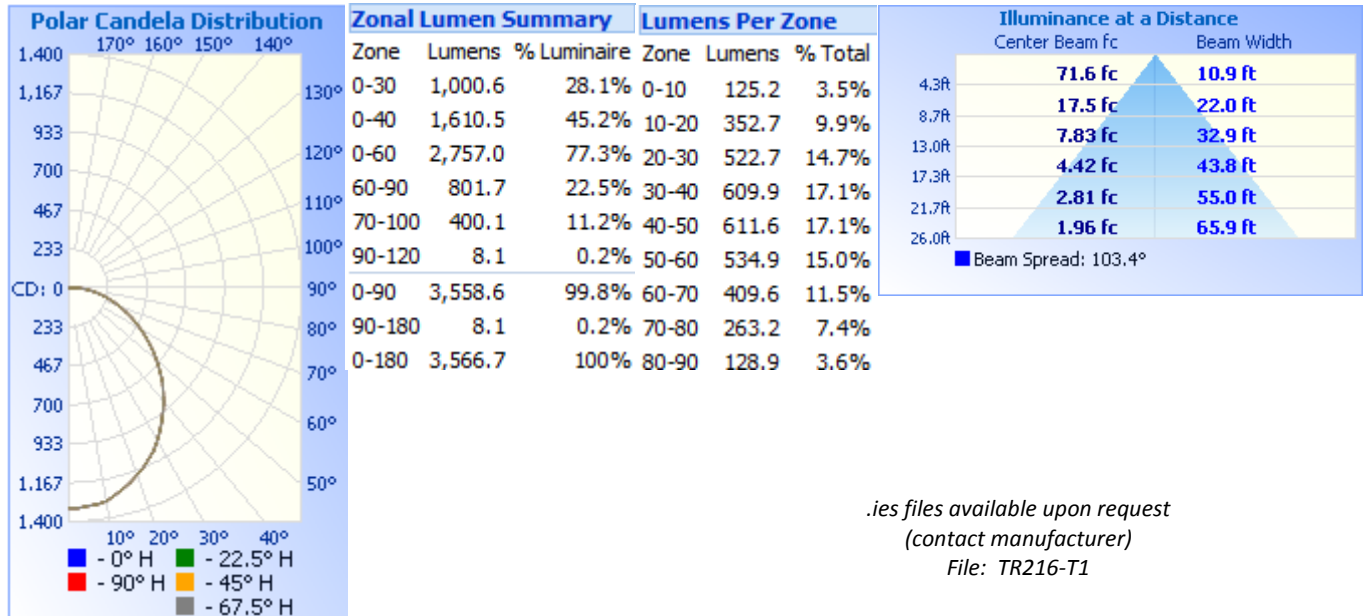
WATTAGE – 30 watts.

FIXTURE WEIGHT – 1.6lbs

Standard options available upon request (Finish & CCT). Pricing & lead-times may be affected. Contact Manufacturer.



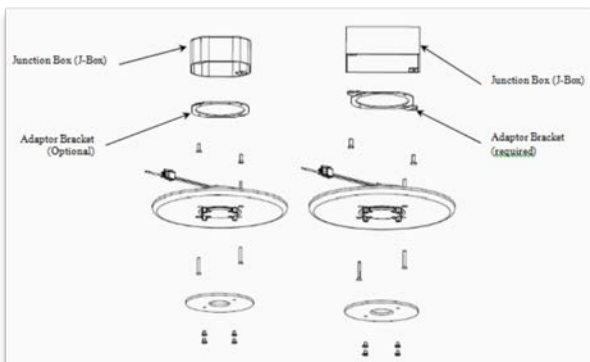
UPC: 692193787716: Diffuser, 120VAC_{in}, 4000k, 31.8 Watts, 3566.7 Delivered Lumens, 112.1 Lm/W (measured)
 Mfr Item Code: S121C08LP340DM130w



.ies files available upon request
 (contact manufacturer)
 File: TR216-T1



Seating approximately 1,400 people, this High School Auditorium has now equipped itself with state-of-the-art sound and lighting systems for exquisite productions. Faculty and students share the experience of teaching and performing in a professional atmosphere with superb lighting features. Seamless integration with the auditorium’s lighting systems allowed for easy installation and high quality functionality.



Typical Installation Views mounting directly into standard octagonal or square junction Box (left). Alternatively, use the Recessed Can Light Conversion Bracket kit to replace those inefficient recessed can lights (right). Order separately.



UPC:	692193787716	Type
Project:		
Comments:		Date
Prepared by:		