



LOW BAY LED FIXTURE

Low Profile High Lumen LED Downlight, 40 watts
120VAC, Dimming, Narrow Distribution

FEATURES & BENEFITS

Ideal Solution for exterior under covered surface, new construction and/or retro-fit installations where surface mount or recessed High Lumen lighting is required. Exceptional for classroom, cafeteria, high ceiling lobby/entry, airports, malls, hospitals or factory lighting.

ENERGY EFFICIENT – This high lumen, low wattage product offers exceptional energy efficient value.

MAINTENANCE FREE – Eliminates costly bulb and/or ballast replacements, lens cleaning/replacements due to UV yellowing and is corrosion resistant. Reduces unnecessary landfill & disposal.

ARCHITECTURALLY PLEASING DESIGN – The design patented fixture (No.: D604,008) looks outstanding in either the ON or OFF state.

PLEASING LAMP COLOR – High CRI value (>80) delivering pure (visible) light spectrum lighting originating from the highest quality COB array's producing the most vibrant of colors.

CONTROLLED LIGHT DISTRIBUTION – 120 degree light distribution (60 degree Cutoff) directing light to where it's wanted.

DIMMING – Provides Triac/Phase Dimming (conventional incandescent wall dimmer). See Silescent Dimming Capabilities and Compatibility chart available at www.silescent.com

SANITARY DESIGN – The entire room side surface of the fixture can be easily cleaned and disinfected; the fixture has been designed to eliminate or minimize dust and germ collecting surfaces (IP65 rated).

ENVIRONMENTALLY FRIENDLY – No Hazardous Mercury Content.

LISTINGS & COMPLIANCE – UL1598 listed Canada & US (ETL label), wet location under cover ceiling, IP65 rated, RoHS compliant.

THERMAL MANAGEMENT - Patented (No.'s: 7,810,960 & 8,360,614) HEAT FORWARD/LIGHT FORWARD proprietary technology using its thermal radiating trim ring which also provides mounting and style.

EXTRA LONG LIFE – 100,000 operating hours (@ 10 hrs/day is > 27 years)

WARRANTY – 5 year limited warranty, both LED and driver. Full warranty details available at www.silescent.com

EASY MOUNTING/INSTALLATION – *New Construction & Surface Mount Retrofit:* mounts directly into any standard 1900 (4S) or Octagonal JBox. *Recessed Can Retrofit:* mounts directly into any 4" or larger recessed fixture with Silescent single or 2-piece mount kit. *Pendant:* using rigid metal conduit or equivalent into 1900 (4S) or Octagonal J-Box. *Install in RM, IC, ICAT & Fire Rated applications.*

MADE IN USA – Both driver and fixture are designed, engineered and mfr'd by Silescent Lighting in Ft. Lauderdale FL (ARRA & NAFTA compliant).



ELECTRICAL DATA

- **Operating Temp:** -40°C to +40°C
- **Ambient Temp:** <35°C
- **Nominal Voltage:** 120VAC_{in}
- **Operating Voltage:** 103 – 125VAC, 50 / 60 Hz

PERFORMANCE SUMMARY

- **Lumens:** 3700 lumens (*delivered*)
- **Wattage:** 40 watts
- **Efficacy:** **93 lumens/watt**
- **CCT:** 5000 Kelvin (>70CRI)
- **IP Rating:** IP65 rated

SPECIFICATIONS

THERMAL RING STYLE – 12 inch, Round-Flat Thermal Ring.

FINISH – Standard Powder Coat White Finish.

INPUT VOLTAGE – 120VAC_{in} (Silescent LP3 driver)

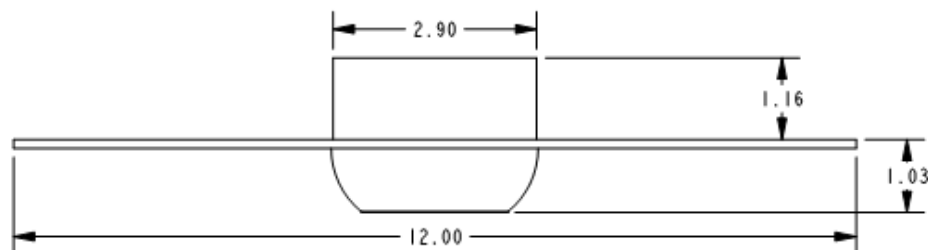
LAMP TEMPERATURES (CCT) – 5000 Kelvin (CRI>70)

OPTIC – 60 degree cutoff angle.

WATTAGE – 40 watts.

FIXTURE WEIGHT – 1.8 lbs

Standard options available upon request, pricing & lead-times may be affected (e.g., finish, CCT, optics). Contact Manufacturer.



MADE IN USA

Silescent Lighting Corp. • 1417 S.W. 1st Ave. • Ft. Lauderdale, FL 33315 • P: 877.766.8448 • F: 954.206.0071 • www.silescent.com • info@silescent.com

March 15, 2016

C01-10b

Silescent LED Low Bay, 40w 120VAC_{in} LED FIXTURE

Photometric Data

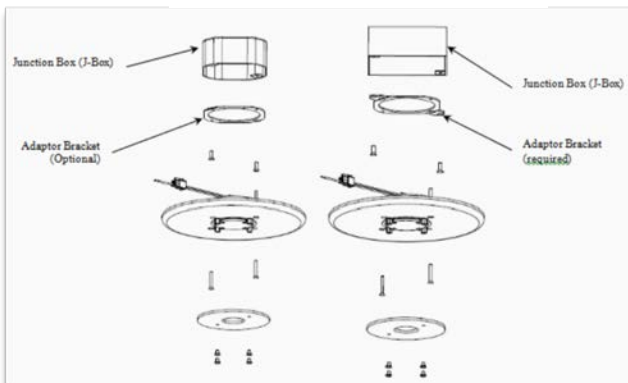
UPC: 692193787709: 60degree cutoff, 120VAC_{in}, 5000k, 38.1 Watts, 3539.5 Delivered Lumens, 93.0 Lm/W (measured)
Mfr Item Code: M121C01LP351MR640w

*.ies files available upon request
(contact manufacturer)
File:*



Alternatively, use the Recessed Can Light Conversion Bracket kit to replace those inefficient recessed can lights (above). Order separately.

Typical Installation Views mounting directly into standard octagonal or square junction Box (below).



Catalog #:	692193787709	Type
Project:		
Comments:		Date
Prepared by:		