



LOW BAY / MID BAY LED FIXTURE

Low Profile High Lumen LED Downlight, 30 watts
120/277VAC_{in}



FEATURES & BENEFITS

Ideal Solution for exterior under covered surface, new construction and/or retro-fit installations where surface mount or recessed High Lumen lighting is required. Exceptional for high ceiling lobby/entry, airports, malls, hospitals or industrial lighting.

ENERGY EFFICIENT – This high lumen, low wattage product offers exceptional energy efficient value.

MAINTENANCE FREE – Eliminates costly bulb and/or ballast replacements, lens cleaning/replacements due to UV yellowing and is corrosion resistant. Reduces unnecessary landfill & disposal.

ARCHITECTURALLY PLEASING DESIGN – The design patented fixture (No.: D604,008) looks outstanding in either the ON or OFF state.

PLEASING LAMP COLOR – High CRI value (>80) delivering pure (visible) light spectrum lighting originating from the highest quality COB array's producing the most vibrant of colors.

WIDE AREA LIGHT DISTRIBUTION – 170 degree distribution provides remarkable light coverage.

INSTANT ON/OFF – Designed for instant ON/OFF use.

SANITARY DESIGN – The entire room side surface of the fixture can be easily cleaned and disinfected; the fixture has been designed to eliminate or minimize dust and germ collecting surfaces (IP65 rated).

ENVIRONMENTALLY FRIENDLY – No Hazardous Mercury Content.

LISTINGS & COMPLIANCE – UL1598 listed Canada & US (ETL label), wet location under cover ceiling, IP65 rated, RoHS compliant.

THERMAL MANAGEMENT - Patented (No.'s: 7,810,960 & 8,360,614) HEAT FORWARD/LIGHT FORWARD proprietary technology using its thermal radiating trim ring which also provides mounting and style.

EXTRA LONG LIFE – 100,000 operating hours (@ 10 hrs/day is > 27 years)

WARRANTY – 5 year limited warranty, both LED and driver. Full warranty details available at www.silescent.com

EASY MOUNTING/INSTALLATION – *New Construction & Surface Mount Retrofit:* mounts directly into any standard 1900 (4S) or Octagonal JBox. *Recessed Can Retrofit:* mounts directly into any 4" or larger recessed fixture with Silescent single or 2-piece mount kit. *Pendant:* using rigid metal conduit or equivalent into 1900 (4S) or Octagonal J-Box. *Install in RM, IC, ICAT & Fire Rated applications.*

MADE IN USA – Both driver and fixture are designed, engineered and mfr'd by Silescent Lighting in Ft. Lauderdale FL (ARRA & NAFTA compliant).

ELECTRICAL DATA

- **Operating Temp:** -40°C to +40°C
- **Ambient Temp:** <35°C
- **Nominal Voltage:** 120/277 VAC_{in}
- **Operating Voltage:** 103 – 285VAC, 50 / 60 Hz

PERFORMANCE SUMMARY

- **Lumens:** 3,256 lumens (*delivered*)
- **Wattage:** 30 watts
- **Efficacy:** **108 lumens/watt**
- **CCT:** 5000 Kelvin (>80CRI)
- **IP Rating:** IP65 rated

SPECIFICATIONS

THERMAL RING STYLE – 12 inch, Round-Flat Thermal Ring.

FINISH – Standard Powder Coat White Finish.

INPUT VOLTAGE – 120/277VAC_{in} (Silescent HN3 driver)

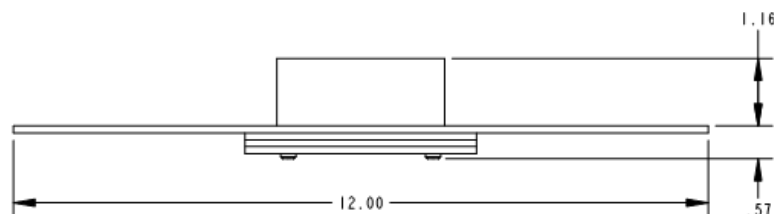
LAMP TEMPERATURES (CCT) – 5000 Kelvin (CRI>80)

OPTIC – Diffuser, 170 degree distribution.

WATTAGE – 30 watts.

FIXTURE WEIGHT – 1.3lbs

Standard options available upon request (Finish & CCT). Pricing & lead-times may be affected. Contact Manufacturer.

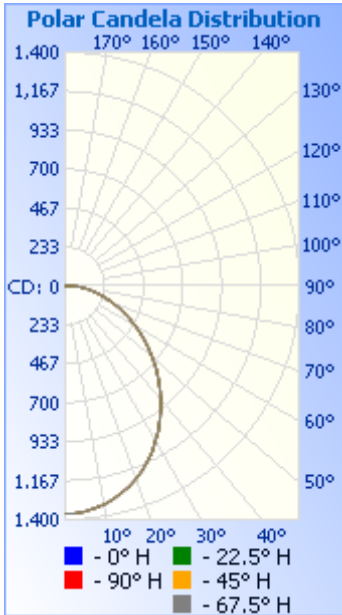


MADE IN USA

Silescent LED Low Bay, 30w, 120/277VAC_{in} LED FIXTURE

Photometric Data

UPC: 692193787655: Diffuser, 120/277VAC_{in}, 5000k, 32.6 Watts, 3538.5 Delivered Lumens, 108.5 Lm/W (measured)
 Mfr Item Code: S121C01HN350DM130w

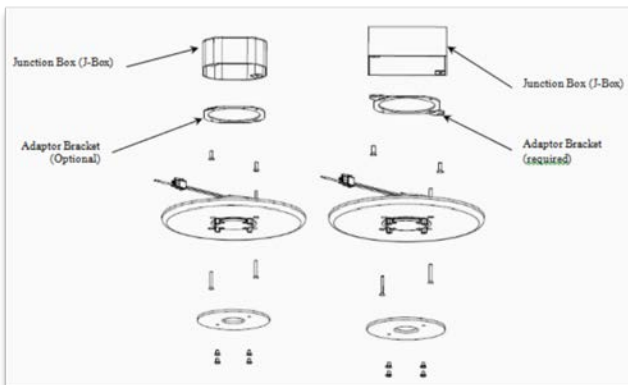


Zonal Lumen Summary			Lumens Per Zone		
Zone	Lumens	% Luminaire	Zone	Lumens	% Total
0-30	1,027.6	29%	0-10	128.8	3.6%
0-40	1,644.2	46.5%	10-20	363.6	10.3%
0-60	2,776.1	78.5%	20-30	535.2	15.1%
60-90	755.5	21.4%	30-40	616.6	17.4%
70-100	368.9	10.4%	40-50	607.9	17.2%
90-120	6.9	0.2%	50-60	524.1	14.8%
0-90	3,531.7	99.8%	60-70	393.5	11.1%
90-180	6.9	0.2%	70-80	245.9	6.9%
0-180	3,538.5	100%	80-90	116.2	3.3%

	Illuminance at a Distance	
	Center Beam fc	Beam Width
4.3R	74.0 fc	10.3 ft
8.7R	18.1 fc	20.8 ft
13.0R	8.10 fc	31.1 ft
17.3R	4.57 fc	41.3 ft
21.7R	2.91 fc	51.9 ft
26.0R	2.03 fc	62.1 ft

■ Beam Spread: 100.1°

.ies files available upon request
 (contact manufacturer)
 File: TR216-T3



Typical Installation Views mounting directly into standard octagonal or square junction Box (left). Alternatively, use the Recessed Can Light Conversion Bracket kit to replace those inefficient recessed can lights (right). Order separately.



UPC:	692193787655	Type
Project:		
Comments:		Date
Prepared by:		