



LED RECESSED FIXTURE

20watt, 9" Recessed Mount Low LED Downlight
120VAC, Dimming



FEATURES & BENEFITS

This elegant LED recessed fixture delivers both high lumen and crisp lighting that can brighten up any environment. Easy mounting accommodates both new construction and retro-fit installations.

ENERGY EFFICIENT – This high lumen, low wattage product offers exceptional energy efficient value.

MAINTENANCE FREE – Eliminates costly bulb and/or ballast replacements, lens cleaning/replacements due to UV yellowing and is corrosion resistant. Reduces unnecessary landfill & disposal.

ARCHITECTURALLY PLEASING DESIGN – This fashionable fixture looks outstanding in either the ON or OFF state.

PLEASING LAMP COLOR – High CRI value (>80) delivering pure (visible) light spectrum lighting originating from the highest quality COB array's producing the most vibrant of colors.

LIGHT DISTRIBUTION – Directional down light distribution.

DIMMING – 120VAC dimming capable; see Silescent Dimming Capabilities and Compatibility chart available at www.silescent.com

ENVIRONMENTALLY FRIENDLY – No Hazardous Mercury Content.

LISTINGS & COMPLIANCE – UL1598 listed Canada & US (ETL label), wet location under cover ceiling, IP65 rated, RoHS compliant.

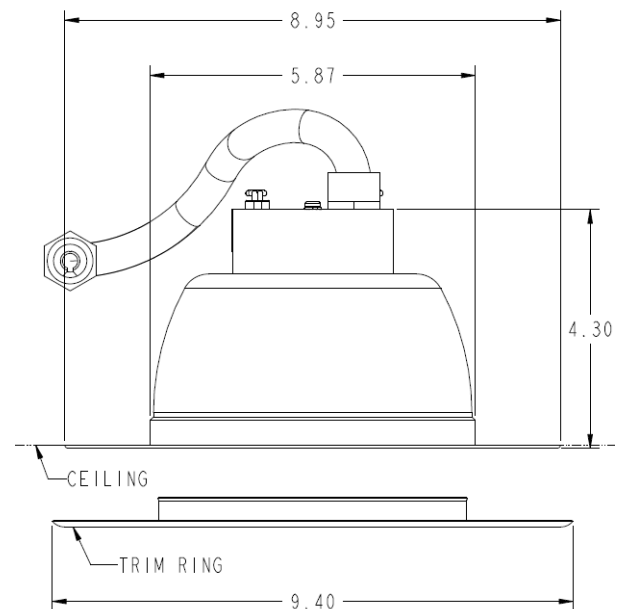
THERMAL MANAGEMENT - Patented (No.'s: 7,810,960 & 8,360,614) HEAT FORWARD/LIGHT FORWARD proprietary technology using its thermal radiating trim ring which also provides mounting and style.

EXTRA LONG LIFE – 100,000 operating hours (@ 10 hrs/day is > 27 years)

WARRANTY – 5 year limited warranty, both LED and driver. Full warranty details available at www.silescent.com

EASY MOUNTING/INSTALLATION – *New Construction/Retrofit:* easily mounts into any 6-8inch hole opening using adapter plate (kit P/N: IR01).. Install in RM, IC, ICAT & Fire Rated applications.

MADE IN USA – Both driver and fixture are designed, engineered and mfr'd by Silescent Lighting in Ft. Lauderdale FL (ARRA & NAFTA compliant).



SPECIFICATIONS

TRIM RING STYLE – 6 inch can (9.4 inch trim).

TRIM FINISH – Standard Powder Coat White Finish.

INPUT VOLTAGE – 120VAC_{in} (Silescent LP3 driver)

LAMP TEMPERATURES (CCT) – 2700 Kelvin (CRI>80)

WATTAGE – 20 watts.

FIXTURE WEIGHT – 1.2lbs

Standard options available upon request (Finish & CCT). Pricing & lead-times may be affected. Contact Manufacturer.

ELECTRICAL DATA

- **Operating Temp:** -40°C to +75°C
- **Ambient Temp:** <35°C
- **Nominal Voltage:** 120 VAC_{in}
- **Operating Voltage:** 103 – 125 VAC, 50 / 60 Hz

PERFORMANCE SUMMARY

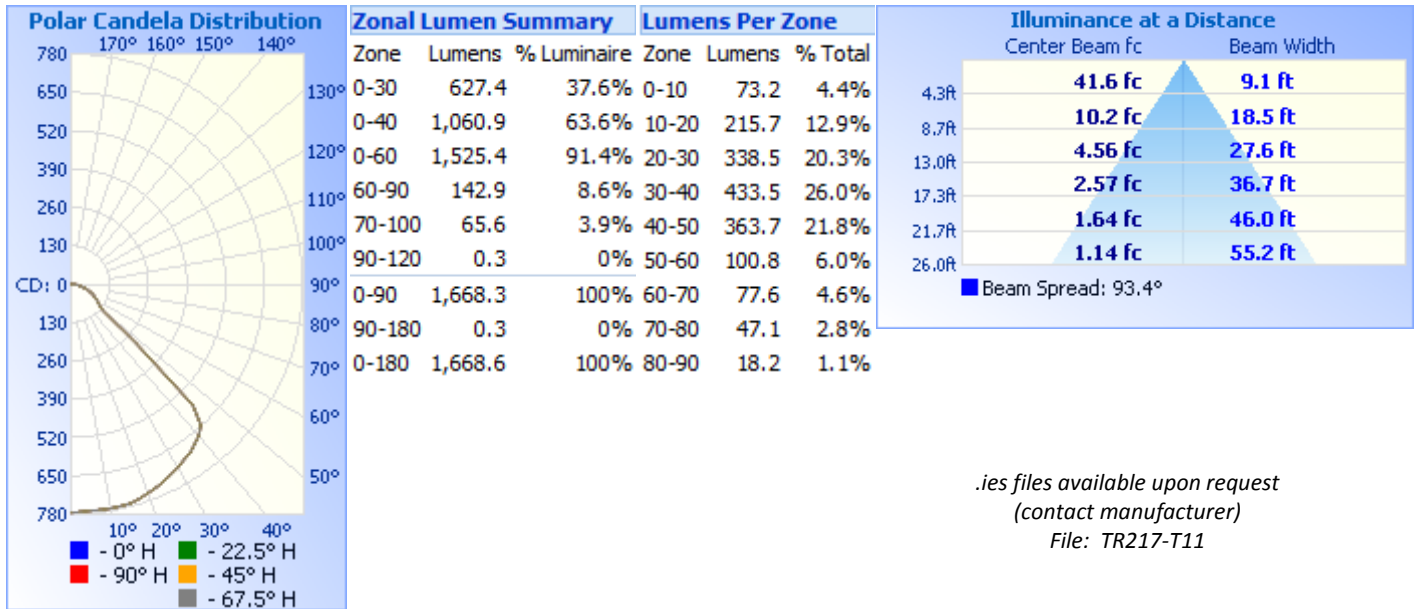
- **Lumens:** 1600 lumens (*delivered*)
- **Wattage:** 20 watts
- **Efficacy:** **80 lumens/watt**
- **CCT:** 2700 Kelvin (>80CRI)
- **IP Rating:** IP65 rated



Silescent LED LED Recessed Fixture

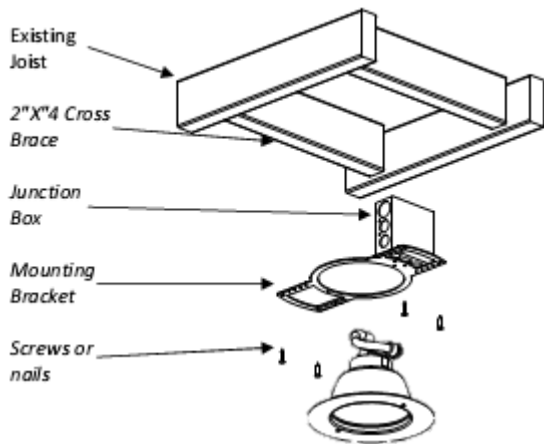
Photometric Data

UPC: **692193787648**: 120VACin, 2700k, 20.8 Watts, 1,668.6 Delivered Lumens, 80.2 Lm/W (measured)
 Mfr Item Code: C06AC01LP327RP120w



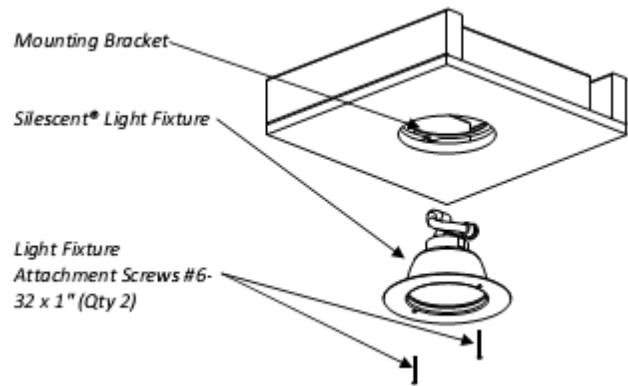
.ies files available upon request
 (contact manufacturer)
 File: TR217-T11

New-Construction Mounting



Typical installation view reflecting New Construction mounting.

Remodel Mounting



Typical Installation Views using universal mounting bracket for easy installation of either new construction or retrofit.

UPC:	692193787648	Type
Project:		
Comments:		Date
Prepared by:		