



## LED RECESSED FIXTURE

20watt, 6" Recessed Mount Low LED Downlight  
120/277VAC<sub>in</sub>

### FEATURES & BENEFITS

*This elegant LED recessed fixture delivers both high lumen and crisp lighting that can brighten up any environment. Easy mounting accommodates both new construction and retro-fit installations.*

**ENERGY EFFICIENT** – This high lumen, low wattage product offers exceptional energy efficient value.

**MAINTENANCE FREE** – Eliminates costly bulb and/or ballast replacements, lens cleaning/replacements due to UV yellowing and is corrosion resistant. Reduces unnecessary landfill & disposal.

**ARCHITECTURALLY PLEASING DESIGN** – This fashionable fixture looks outstanding in either the ON or OFF state.

**PLEASING LAMP COLOR** – High CRI value (>80) delivering pure (visible) light spectrum lighting originating from the highest quality COB array's producing the most vibrant of colors.

**LIGHT DISTRIBUTION** – Directional down light distribution.

**INSTANT ON/OFF** – Designed for instant ON/OFF use.

**ENVIRONMENTALLY FRIENDLY** – No Hazardous Mercury Content.

**LISTINGS & COMPLIANCE** – UL1598 listed Canada & US (ETL label), wet location under cover ceiling, IP65 rated, RoHS compliant.

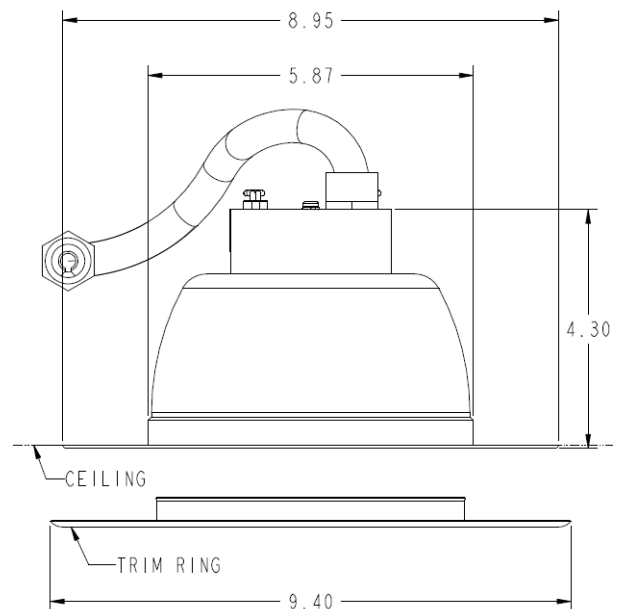
**THERMAL MANAGEMENT** - Patented (No.'s: 7,810,960 & 8,360,614) HEAT FORWARD/LIGHT FORWARD proprietary technology using its thermal radiating trim ring which also provides mounting and style.

**EXTRA LONG LIFE** – 100,000 operating hours (@ 10 hrs/day is > 27 years)

**WARRANTY** – 5 year limited warranty, both LED and driver. Full warranty details available at [www.silescent.com](http://www.silescent.com)

**EASY MOUNTING/INSTALLATION** – *New Construction/Retrofit:* easily mounts into any 6-8inch hole opening using adapter plate (kit P/N: IR01).. Install in RM, IC, ICAT & Fire Rated applications.

**MADE IN USA** – Both driver and fixture are designed, engineered and mfr'd by Silescent Lighting in Ft. Lauderdale FL (ARRA & NAFTA compliant).



### SPECIFICATIONS

**TRIM RING STYLE** – 6 inch can (9.4 inch trim).

**TRIM FINISH** – Standard Powder Coat White Finish.

**INPUT VOLTAGE** – 120/277VAC<sub>in</sub> (Silescent HN3 driver)

**LAMP TEMPERATURES (CCT)** – 2700 Kelvin (CRI>80)

**WATTAGE** – 20 watts.

**FIXTURE WEIGHT** – 1.2lbs

*Standard options available upon request (Finish & CCT). Pricing & lead-times may be affected. Contact Manufacturer.*

### ELECTRICAL DATA

- **Operating Temp:** -40°C to +40°C
- **Ambient Temp:** <35°C
- **Nominal Voltage:** 120/277 VAC<sub>in</sub>
- **Operating Voltage:** 103 – 285VAC, 50 / 60 Hz

### PERFORMANCE SUMMARY

- **Lumens:** 1,600 lumens (*delivered*)
- **Wattage:** 20 watts
- **Efficacy:** **80 lumens/watt**
- **CCT:** 2700 Kelvin (>80CRI)
- **IP Rating:** IP65 rated

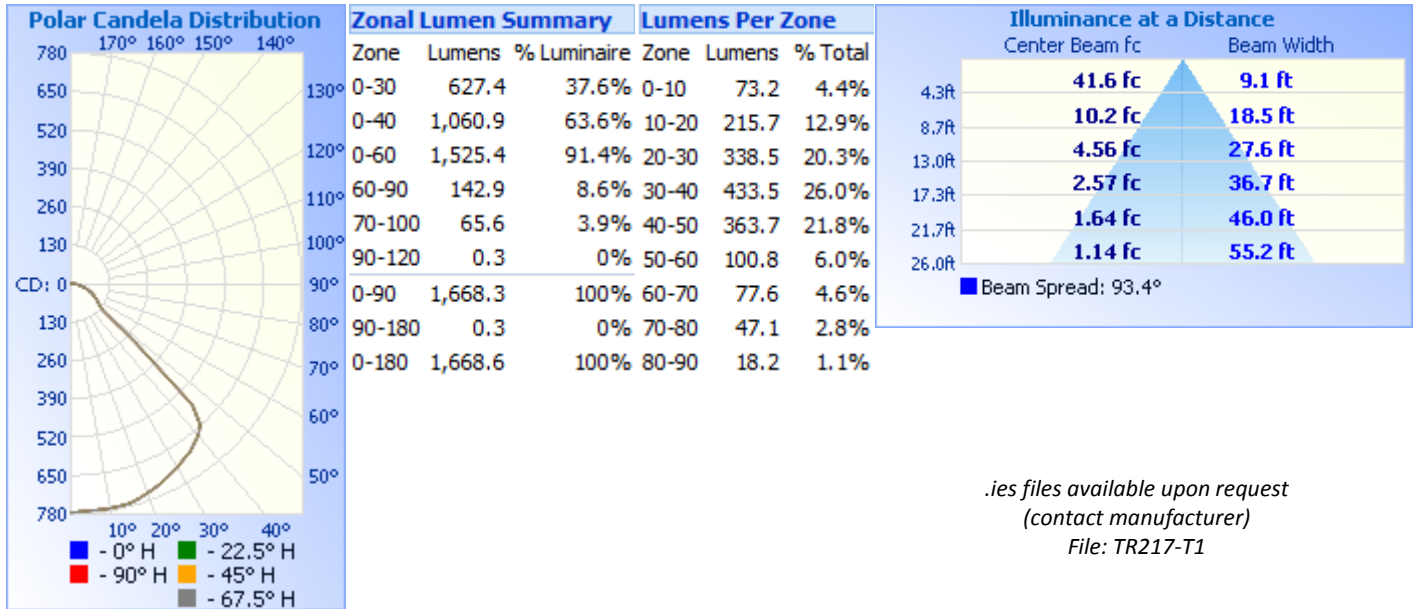


# Silescent LED LED Recessed Fixture

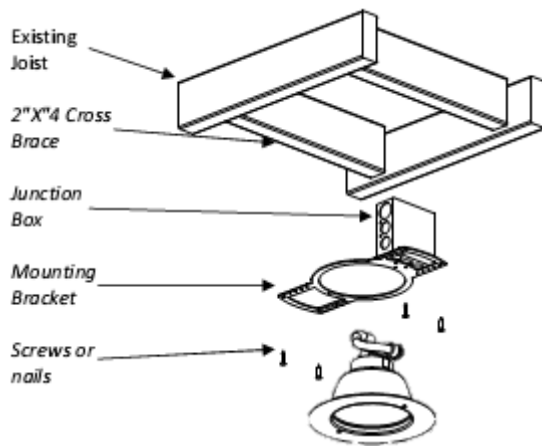
# Photometric Data

UPC: 692193787631: 120/277VACin, 2700k, 20.8 Watts, 1,668.6 Delivered Lumens, 80.2 Lm/W (measured)

Mfr Item Code: C06AC01HN327RP120w

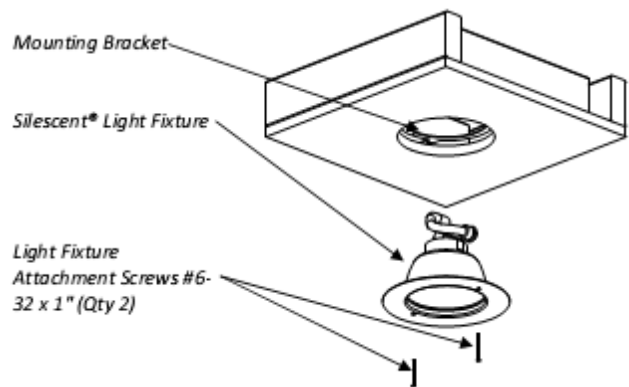


## New-Construction Mounting



Typical installation view reflecting New Construction mounting.

## Remodel Mounting



Typical Installation Views using universal mounting bracket for easy installation of either new construction or retrofit.

UPC:	692193787631	Type
Project:		
Comments:		Date
Prepared by:		