



LED VANDAL LIGHT FIXTURE

20watt, 8" Flush Mount Low Profile Downlight
ENERGY STAR® Certified, 120/277VAC_{in}



FEATURES & BENEFITS

Ideal Solution for unsupervised public spaces, exterior under covered surface, new construction and/or retro-fit installations where surface mount or recessed tamper proof lighting is required.

ENERGY EFFICIENT – This high lumen, low wattage product offers exceptional energy efficient value.

MAINTENANCE FREE – Eliminates costly bulb and/or ballast replacements, lens cleaning/replacements due to UV yellowing and is corrosion resistant. Reduces unnecessary landfill & disposal.

PLEASING LAMP COLOR – This high lumen fixture delivering pure (visible) light spectrum lighting originating from the highest quality COB array's producing the most vibrant of colors.

WIDE AREA LIGHT DISTRIBUTION – 150 degree light distribution provides remarkable light coverage.

INSTANT ON/OFF – Designed for instant ON/OFF use.

SANITARY DESIGN – The entire room side surface of the fixture can be easily cleaned and disinfected; the fixture has been designed to eliminate or minimize dust and germ collecting surfaces (IP65 rated).

ENVIRONMENTALLY FRIENDLY – No Hazardous Mercury Content.

LISTINGS & COMPLIANCE – ENERGY STAR certified LED Downlight, UL1598 listed Canada & US (ETL label), wet location under cover ceiling, IP65 rated, RoHS compliant.

THERMAL MANAGEMENT - Patented (No.'s: 7,810,960 & 8,360,614) HEAT FORWARD/LIGHT FORWARD proprietary technology.

EXTRA LONG LIFE – 100,000 operating hours (@ 10 hrs/day is > 27 years)

WARRANTY – 5 year limited warranty, both LED and driver. Full warranty details available at www.silescent.com

EASY MOUNTING/INSTALLATION – *New Construction & Surface Mount Retrofit:* mounts directly into any standard 1900 (4S) or Octagonal JBox. *Recessed Can Retrofit:* mounts directly into any 4" or larger recessed fixture with Silescent single or 2-piece mount kit. *Install in RM, IC, ICAT & Fire Rated applications.*

MADE IN USA – Both driver and fixture are designed, engineered and mfr'd by Silescent Lighting in Ft. Lauderdale FL (ARRA & NAFTA compliant).



ELECTRICAL DATA

- **Operating Temp:** -40°C to +40°C
- **Ambient Temp:** <35°C
- **Nominal Voltage:** 120/277 VAC
- **Operating Voltage:** 103 – 285VAC, 50 / 60 Hz

PERFORMANCE SUMMARY

- **Lumens:** 2,298 lumens (*delivered*)
- **Wattage:** 20 watts
- **Efficacy:** **115 lumens/watt**
- **CCT:** 4000 Kelvin (80CRI)
- **IP Rating:** IP65 rated

SPECIFICATIONS

TRIM RING STYLE – 8 inch, Round-Dish

FINISH – Standard Powder Coat White Finish.

INPUT VOLTAGE – 120/277VAC_{in} (Silescent HN3 driver)

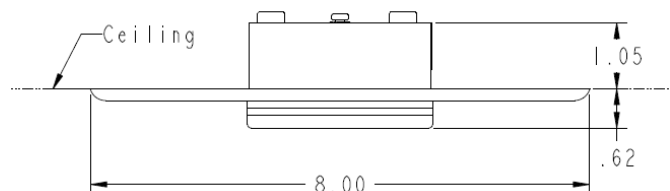
LAMP TEMPERATURES (CCT) – 4000 Kelvin (80CRI)

OPTIC – Vandal Bezel, Wide area distribution.

WATTAGE – 20 watts.

FIXTURE WEIGHT – 1.2lbs

Standard options available upon request (Finish & CCT). Pricing & lead-times may be affected. Contact Manufacturer.

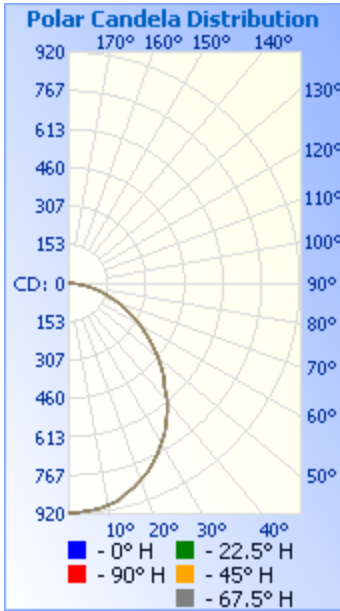


MADE IN USA

Silescent LED VANDAL Light FIXTURE

Photometric Data

UPC: 692193787624: Vandal Fixture, 120/277VACin, 4000K, 20Watts, 2,298 Delivered Lumens, 115 Lm/W (measured)
 Mfr Item Code: V082C01HN340VBD20w

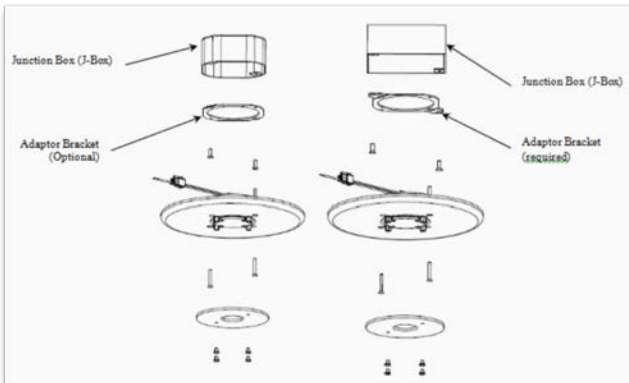


Zonal Lumen Summary			Lumens Per Zone		
Zone	Lumens	% Luminaire	Zone	Lumens	% Total
0-30	692.0	30.1%	0-10	86.1	3.7%
0-40	1,111.8	48.4%	10-20	244.2	10.6%
0-60	1,868.8	81.3%	20-30	361.7	15.7%
60-90	428.1	18.6%	30-40	419.8	18.3%
70-100	179.3	7.8%	40-50	409.5	17.8%
90-120	1.4	0.1%	50-60	347.6	15.1%
0-90	2,296.9	99.9%	60-70	250.1	10.9%
90-180	1.4	0.1%	70-80	139.6	6.1%
0-180	2,298.2	100%	80-90	38.4	1.7%

	Illuminance at a Distance	
	Center Beam fc	Beam Width
4.3R	49.3 fc	10.4 ft
8.7R	12.0 fc	21.0 ft
13.0R	5.40 fc	31.4 ft
17.3R	3.05 fc	41.7 ft
21.7R	1.94 fc	52.3 ft
26.0R	1.35 fc	62.7 ft

■ Beam Spread: 100.7°

.ies files available upon request
 (contact manufacturer)
 File: TR215-T4



Typical Installation Views mounting directly into standard octagonal or square junction Box (left). Alternatively, use the Recessed Can Light Conversion Bracket kit to replace those inefficient recessed can lights (right). Order separately.

Catalog #:	692193787624	Type
Project:		
Comments:		Date
Prepared by:		