



8 INCH LED FIXTURE

(SERIES: S082)

20watt, 8" Diameter Trim, Low Profile LED Downlight
ENERGY STAR® Certified, 120/277VAC_{in}, On/Off



FEATURES & BENEFITS

A great solution for 4 or 6 inch recessed can light conversions upgrading old inefficient recessed can lights to highly efficient, maintenance free LED Lighting. Ideal solution for outdoor under cover or other general down lighting requirements.

ENERGY EFFICIENT – This high lumen, low wattage product offers exceptional energy efficient value.

MAINTENANCE FREE – Eliminates costly bulb and/or ballast replacements, lens cleaning/replacements due to UV yellowing and is corrosion resistant. Reduces unnecessary landfill & disposal.

ARCHITECTURALLY PLEASING DESIGN – The design patented fixture (No.: D602,195) looks outstanding in either the ON or OFF state.

PLEASING LAMP COLOR – High CRI value (>80) delivering pure (visible) light spectrum lighting originating from the highest quality COB array's producing the most vibrant of colors.

WIDE AREA LIGHT DISTRIBUTION – Wide angle distribution provides remarkable light coverage.

INSTANT ON/OFF – Designed for instant ON/OFF use.

SANITARY DESIGN – This fixture has been designed to eliminate or minimize dust and germ collecting surfaces and allows for easy cleaning (IP65).

ENVIRONMENTALLY FRIENDLY – No Hazardous Mercury Content.

LISTINGS & COMPLIANCE – ENERGY STAR certified LED Downlight, UL1598 listed Canada & US (ETL label), wet location under cover ceiling, IP65 rated, RoHS compliant.

THERMAL MANAGEMENT - Patented (No.'s: 7,810,960 & 8,360,614) HEAT FORWARD/LIGHT FORWARD proprietary technology.

EXTRA LONG LIFE – 100,000 operating hours (@ 10 hrs/day is > 27 years)

WARRANTY – 5 year limited warranty, both LED and driver. Full warranty details available at www.silescent.com

EASY MOUNTING/INSTALLATION – *New Construction & Surface Mount Retrofit:* mounts directly into any standard 2-1/8in Octagonal JBox or 1900 square JBox. *Recessed Can Retrofit:* mounts directly into any 4" or larger recessed fixture with Silescent can light conversion mount kit. *Install in RM, IC, ICAT & Fire Rated applications.*

MADE IN USA – Both driver and fixture are designed, engineered and mfr'd by Silescent Lighting in Ft. Lauderdale FL (ARRA & NAFTA compliant).

ELECTRICAL DATA

- **Operating Temp:** -40°C to +40°C
- **Ambient Temp:** <35°C
- **Nominal Voltage:** 120/277 VAC
- **Operating Voltage:** 103 – 285VAC, 50 / 60 Hz

PERFORMANCE SUMMARY

- **Lumens:** 2,380 lumens (*delivered*)
- **Wattage:** 20 watts
- **Efficacy:** **119 lumens/watt**
- **CCT:** 4000 Kelvin (>80CRI)
- **IP Rating:** IP65 rated

SPECIFICATIONS

TRIM RING STYLE – 8 inch, Round-Dish

FINISH – Standard Powder Coat White Finish.

INPUT VOLTAGE – 120/277VAC_{in} (Silescent HN3 driver)

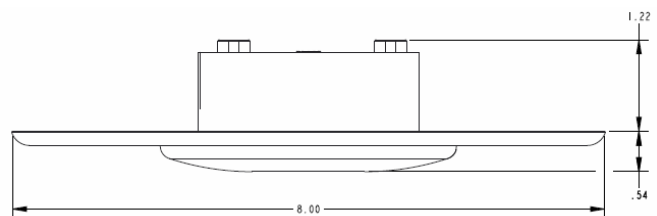
LAMP TEMPERATURES (CCT) – 4000 Kelvin (CRI>80)

OPTIC – Diffuser, wide Area Distribution.

WATTAGE – 20 watts.

FIXTURE WEIGHT – 0.9 lbs

Standard options available upon request (Finish & CCT). Pricing & lead-times may be affected. Contact Manufacturer.

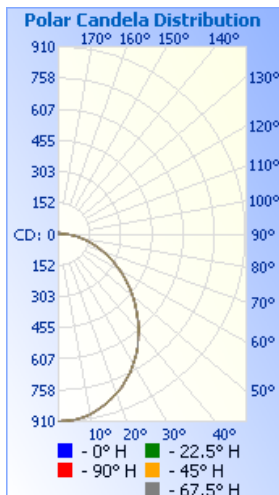


MADE IN USA

Silescent 8 inch LED FIXTURE, 20watts

Photometric Data

UPC: 692193788003: Diffuser, 120/277VACin, 4000k, 20.2 Watts, 2412.4 Delivered Lumens, 119.2 Lm/W (measured)
 Mfr Item Code: S085C01HN340DM120w



Zonal Lumen Summary

Zone	Lumens	% Luminaire
0-30	683.5	28.3%
0-40	1,099.5	45.6%
0-60	1,874.4	77.7%
60-90	527.5	21.9%
70-100	259.6	10.8%
90-120	7.1	0.3%
0-90	2,401.8	99.6%
90-180	10.6	0.4%
0-180	2,412.4	100%

Lumens Per Zone

Zone	Lumens	% Total
0-10	85.4	3.5%
10-20	241.0	10.0%
20-30	357.1	14.8%
30-40	416.0	17.2%
40-50	413.8	17.2%
50-60	361.1	15.0%
60-70	273.7	11.3%
70-80	172.8	7.2%
80-90	80.9	3.4%

Illuminance at a Distance

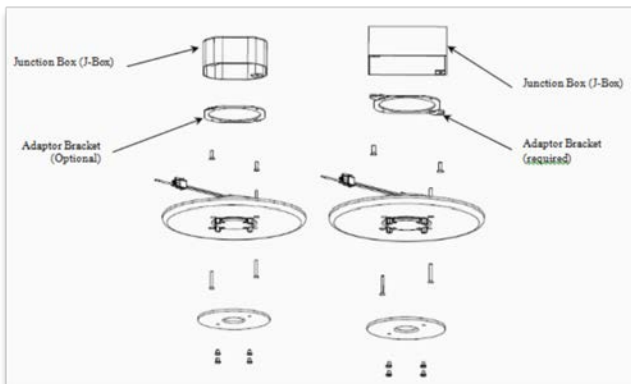
	Center Beam fc	Beam Width
4.3ft	48.9 fc	10.7 ft
8.7ft	12.0 fc	21.7 ft
13.0ft	5.36 fc	32.5 ft
17.3ft	3.02 fc	43.2 ft
21.7ft	1.92 fc	54.2 ft
26.0ft	1.34 fc	65.0 ft

■ Beam Spread: 102.7°

.ies files available upon request
 (contact manufacturer)
 File: S-HN340DM120w



Under Cover walkway on School Campus using 15watt fixtures at 18 foot spacing in 12 foot high canopy. These replaced 70 watt HID fixtures and doubled the foot-candle readings while eliminating any shadowing and significantly brightening up the area.



Typical Installation Views mounting directly into standard octagonal or square junction Box (left). Alternatively, use the Recessed Can Light Conversion Bracket kit to replace those inefficient recessed can lights (right). Order separately.



UPC:	692193788003	Type
Project:		
Comments:		Date
Prepared by:		