



HIGH BAY LED FIXTURE (SERIES: HRM-145W)

Reflective Series, Ultra High Lumen LED Downlight
145watt, 120-277VAC_{in}, Wide Angle, 141 lm/W

FEATURES & BENEFITS

This Stylish, Reflective Series High Bay LED light fixture is an ideal solution for high ceiling (≥25ft) Commercial and Industrial building spaces including School Gymnasiums, industrial warehousing, storage facilities, airport hangers or any other area requiring extra high lumen, high product reliability.

ENERGY EFFICIENT – This high lumen, low wattage product offers exceptional energy efficient value.

MAINTENANCE FREE – Eliminates costly bulb and/or ballast replacements, lens cleaning/replacements due to UV yellowing and is corrosion resistant. Reduces unnecessary landfill & disposal.

ARCHITECTURALLY PLEASING DESIGN – The Silescent Fixture looks outstanding in either the ON or OFF state.

PLEASING LAMP COLOR – High quality LEDs delivering pure (visible) light spectrum lighting originating from the highest quality COB array's producing the most vibrant of colors.

WIDE AREA LIGHT DISTRIBUTION – 170 degree distribution provides remarkable light coverage throughout the facility. Eliminates dark corners and provides floor to ceiling even distribution.

INSTANT ON/OFF – Events start on time, end on time with the ability to turn on/off these fixtures on-demand and as needed saving further energy costs.

SANITARY DESIGN – The entire room side surface of the fixture can be easily cleaned and disinfected; the fixture has been designed to eliminate or minimize dust and germ collecting surfaces (IP65 rated).

ENVIRONMENTALLY FRIENDLY – No Hazardous Mercury Content.

LISTINGS & COMPLIANCE – UL1598 listed Canada & US (ETL label), wet location under cover ceiling, RoHS compliant.

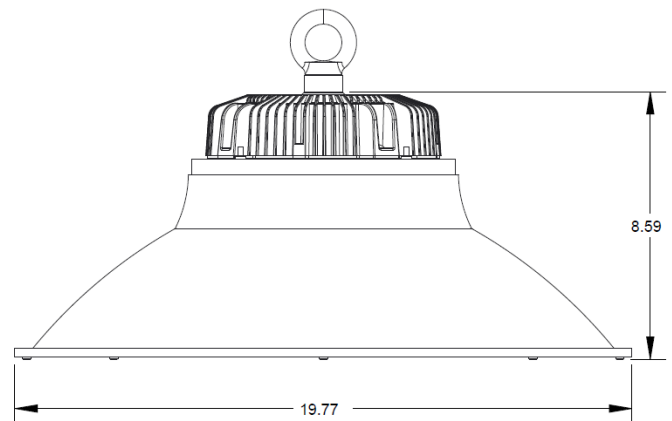
THERMAL MANAGEMENT - Patented (No.'s: 7,810,960 & 8,360,614) HEAT FORWARD/LIGHT FORWARD proprietary technology.

EXTRA LONG LIFE – 100,000 operating hours (@ 10 hrs/day is > 27 years)

WARRANTY – 5 year limited warranty, both LED and driver. Full warranty details available at www.silescent.com

EASY MOUNTING/INSTALLATION – *New Construction & Retrofit:* Chain mount

MADE IN USA – Designed, engineered and mfr'd by Silescent Lighting in Ft. Lauderdale FL (ARRA & NAFTA compliant).



ELECTRICAL DATA

- **Operating Temp:**-40°C ~ +60°C
- **Ambient Temp:**<35°C
- **Nominal Voltage:** 120/230/277 VAC_{in}
- **Operating Voltage:** 90 – 305VAC, 50 / 60 Hz
- **Power Factor:**>98%/115V,
.....>95%/230V,>93%/277V
- **AC Current (Typ):**2.5A/115V, 1.3A/230V, 1.2A/277V

CONSTRUCTION

- **Dimensions:** Reflective: 19.77in (dia.) x 8.6in (H)
- **Weight:**<13 lbs.

RATINGS/WARRANTY

- **Life Rating:**100,000 hours
- **Warranty:**5 years

PERFORMANCE SUMMARY

- **Light Output:**20,416 Lumens
- **Wattage:**145
- **CCT:**5000 Kelvin, >70CRI
- **Efficacy:**141 lumens/watt

SPECIFICATIONS

THERMAL TRIM RING STYLE – 20 inch diameter Thermal Housing

FINISH – Standard Powder Coat Matte White Finish.

INPUT VOLTAGE – 120 - 277VAC_{in}

LAMP TEMPERATURES (CCT) – 5000 Kelvin (CRI>70)

OPTIC – Diffuser, wide area distribution.

WATTAGE – 145 watts

FIXTURE WEIGHT – 13.0 lbs (including chain mount)

Standard options available upon request (Finish & CCT). Pricing & lead-times may be affected. Contact Manufacturer.

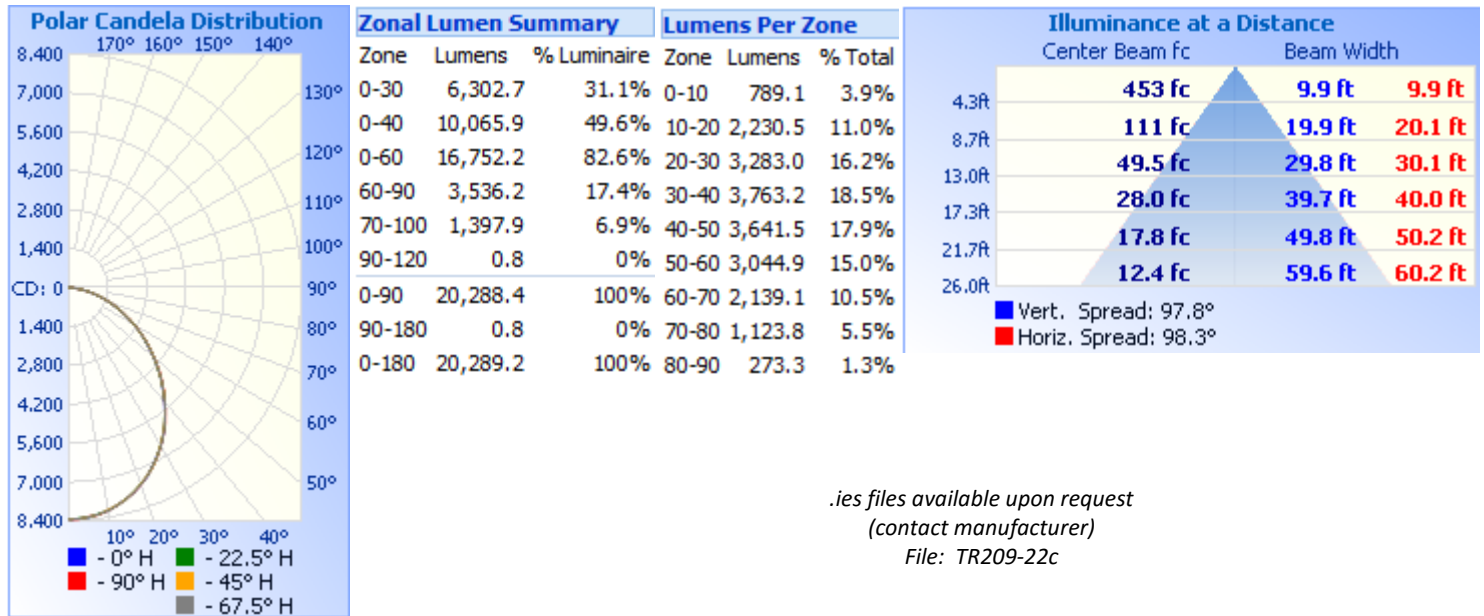


Silescent LED HIGH BAY LED FIXTURE, 145watts

Photometric Data

UPC# 692193787839: 120-277VACin, 5000k, 70CRI, 144.1 Watts, 20,289 Delivered Lumens, 141 Lm/W (measured)

Mfr Item Code: HRC03M1A51145w



AFTER REPLACEMENT OF 400WATT METAL HALIDE



UPC/SKU #:	692193787839	Type
Project:		
Comments:		Date
Prepared by:		